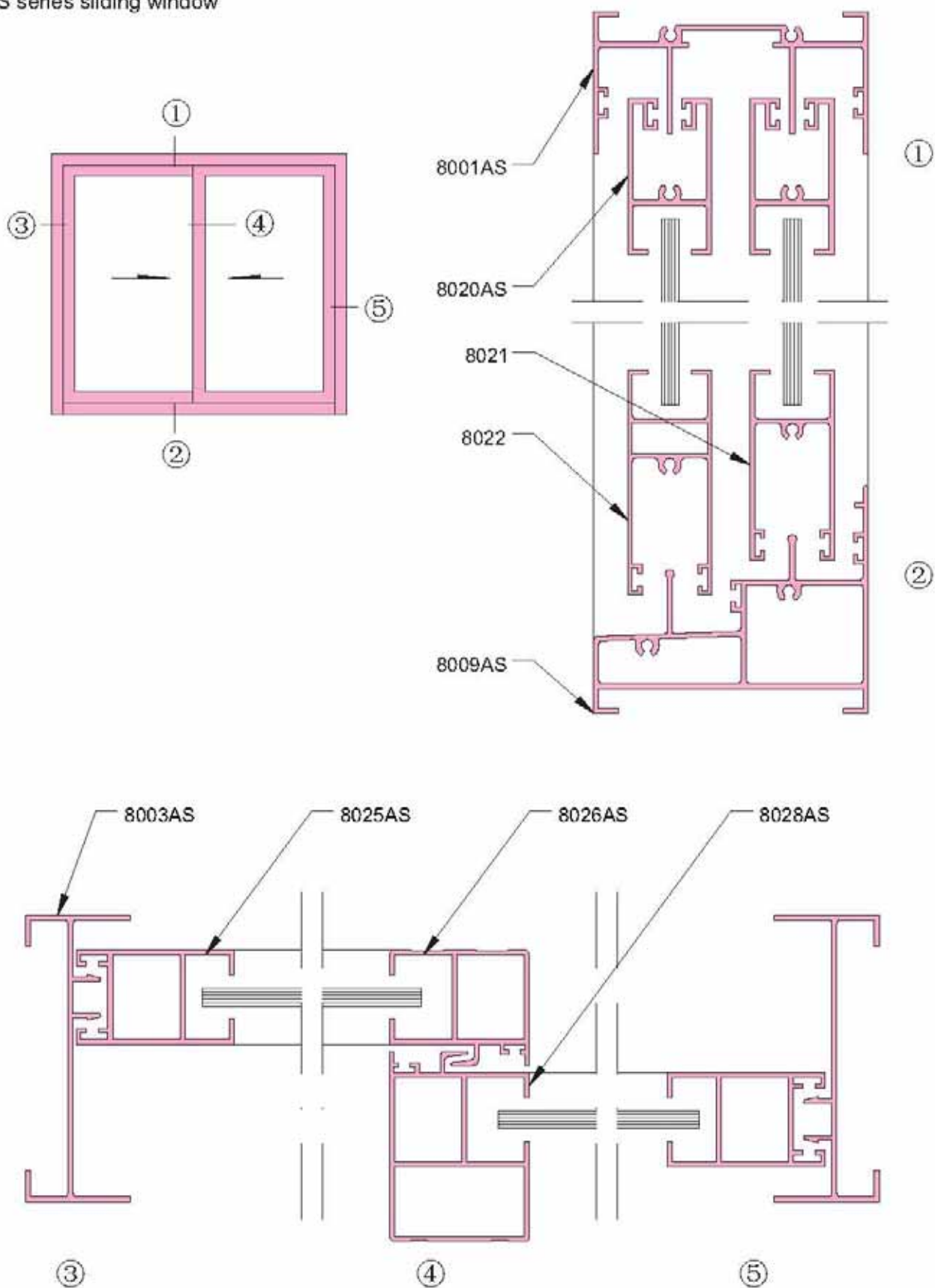


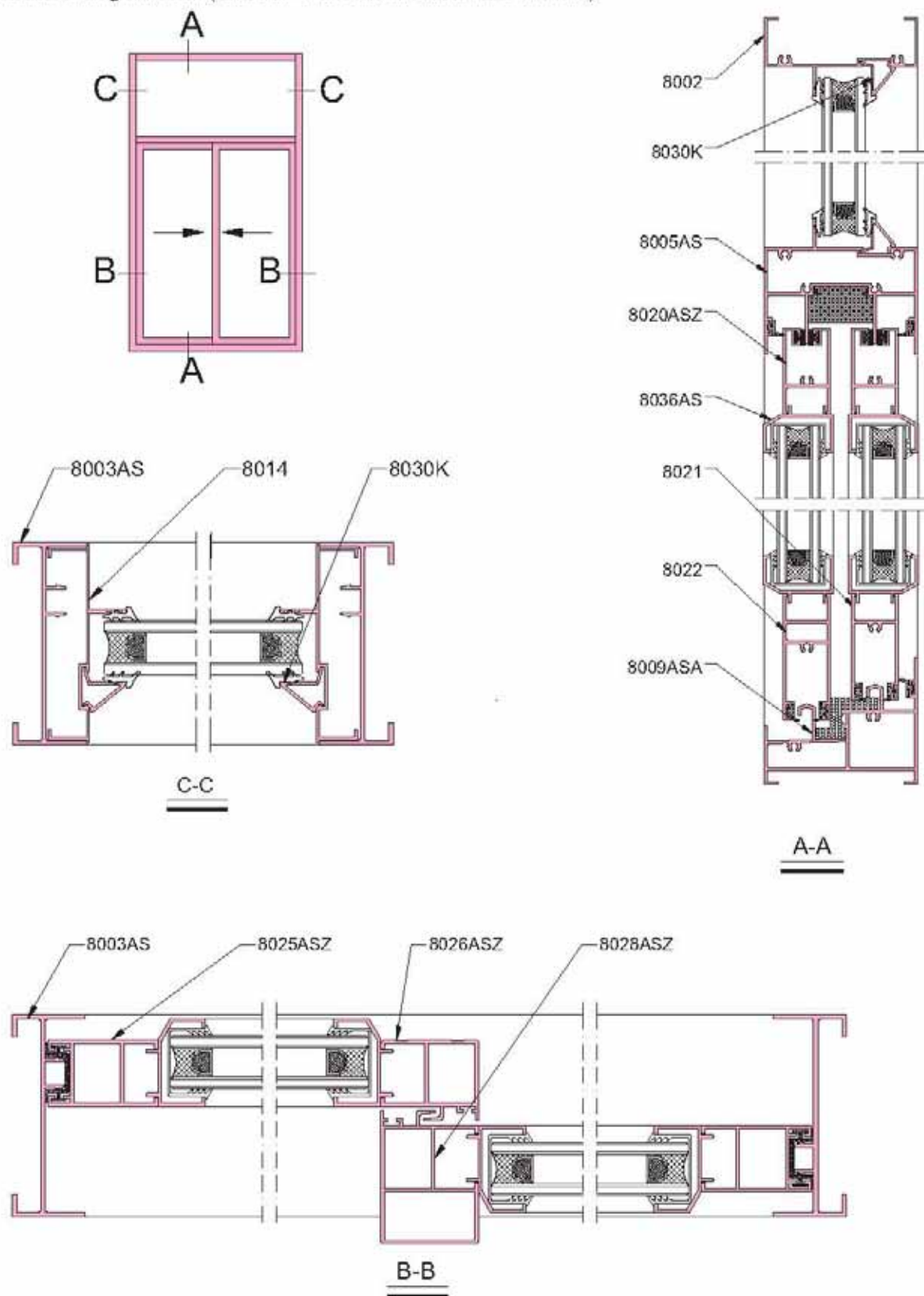
8088AS系列推拉窗装配图

8088AS series sliding window



8088AS系列推拉窗装配图 (5+12A+5 壁厚1.4mm)

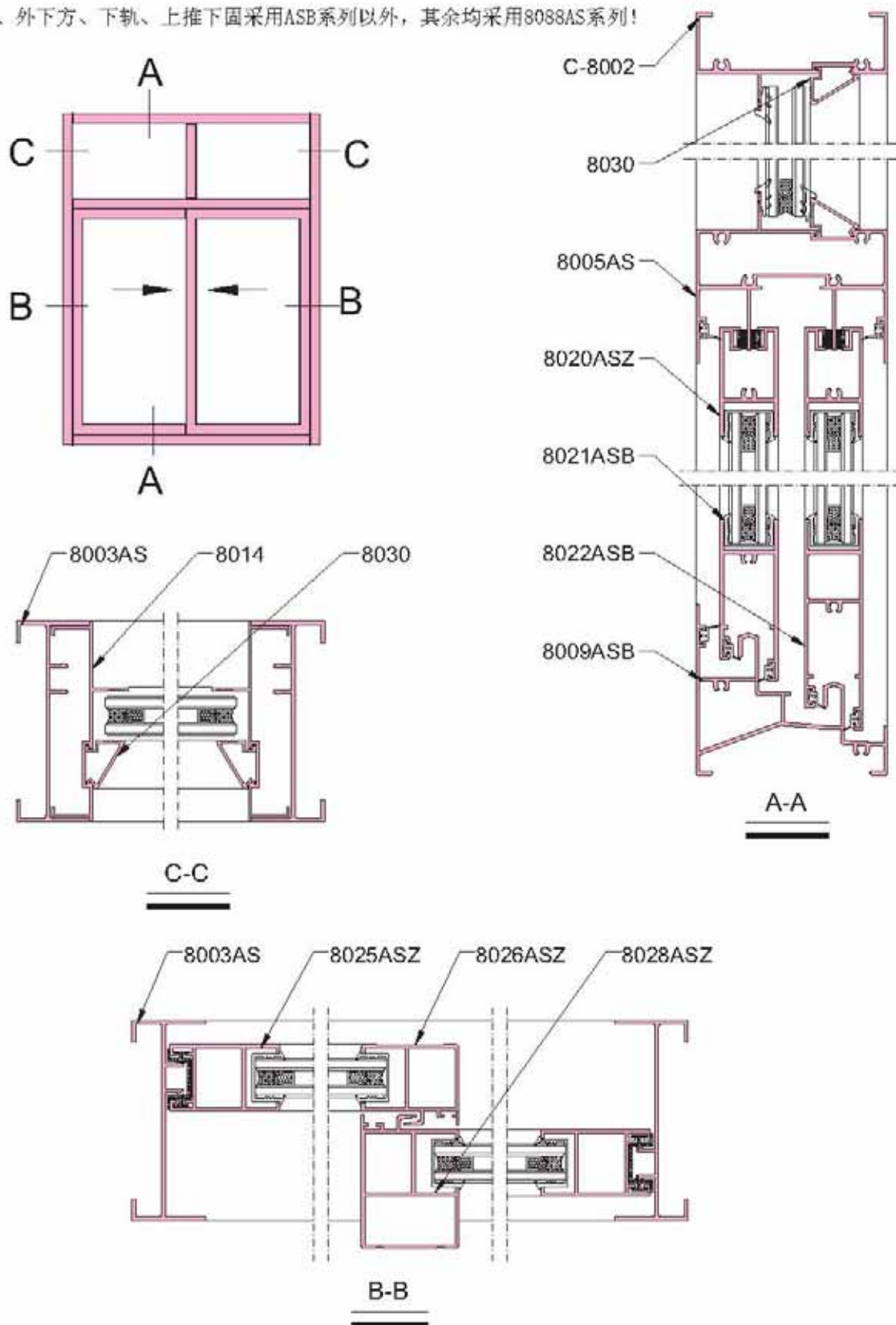
8088AS series sliding window (Glass:5+12A+5,wall thickness 1.4mm)



8088ASB系列推拉窗装配图 (5+6A+5 壁厚1.4mm)

8088ASB series sliding window (Glass:5+6A+5, wall thickness 1.4mm)

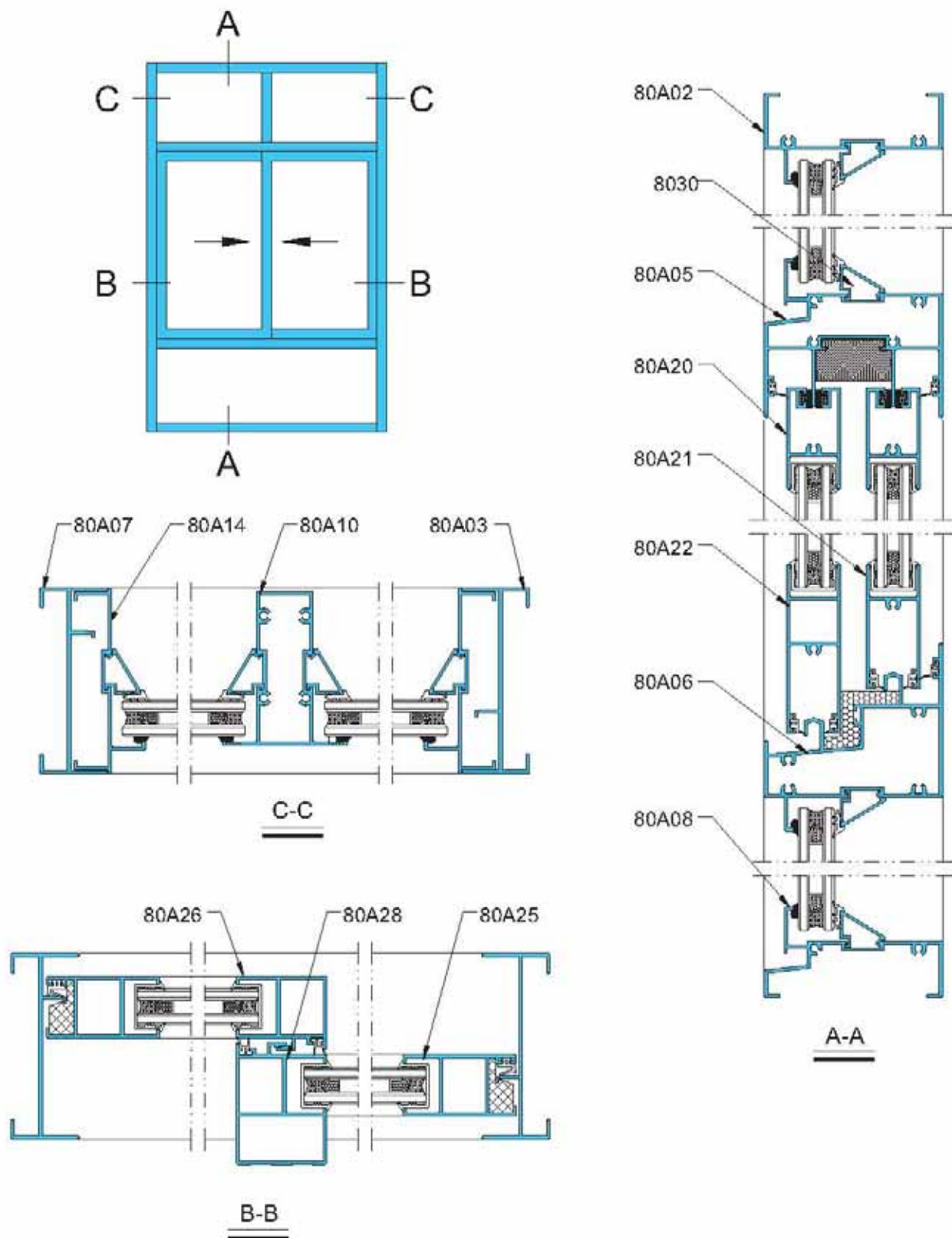
注：除内下方、外下方、下轨、上推下固采用ASB系列以外，其余均采用8088AS系列！



专利产品，防冒必究

80A88系列推拉窗装配图 (5+6A+5 壁厚1.4mm)

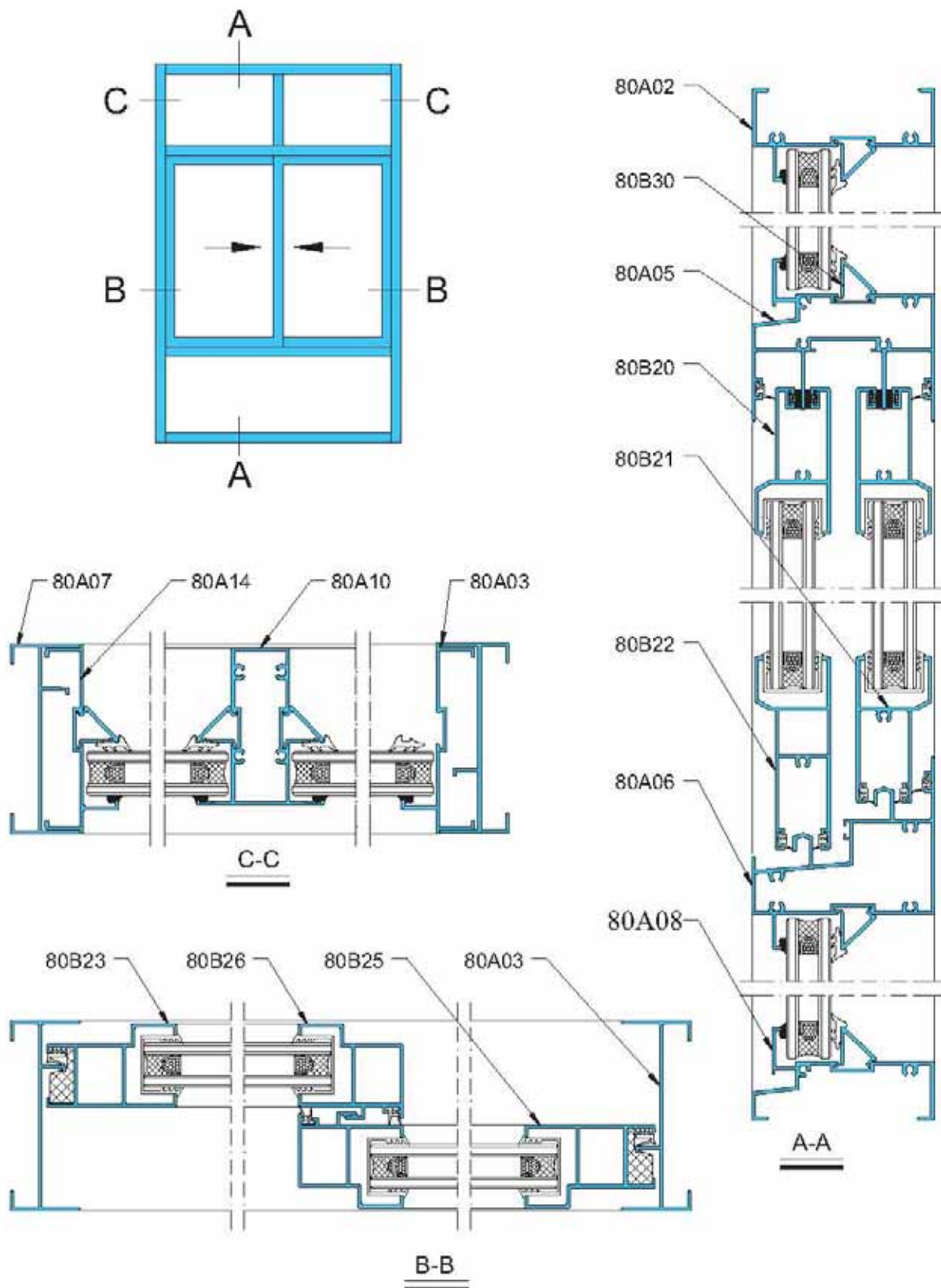
80A88 series sliding window (Glass:5+6A+5, wall thickness 1.4mm)



专利产品，防冒必究

80B88系列推拉窗装配图 (5+9A+5 壁厚1.4mm)

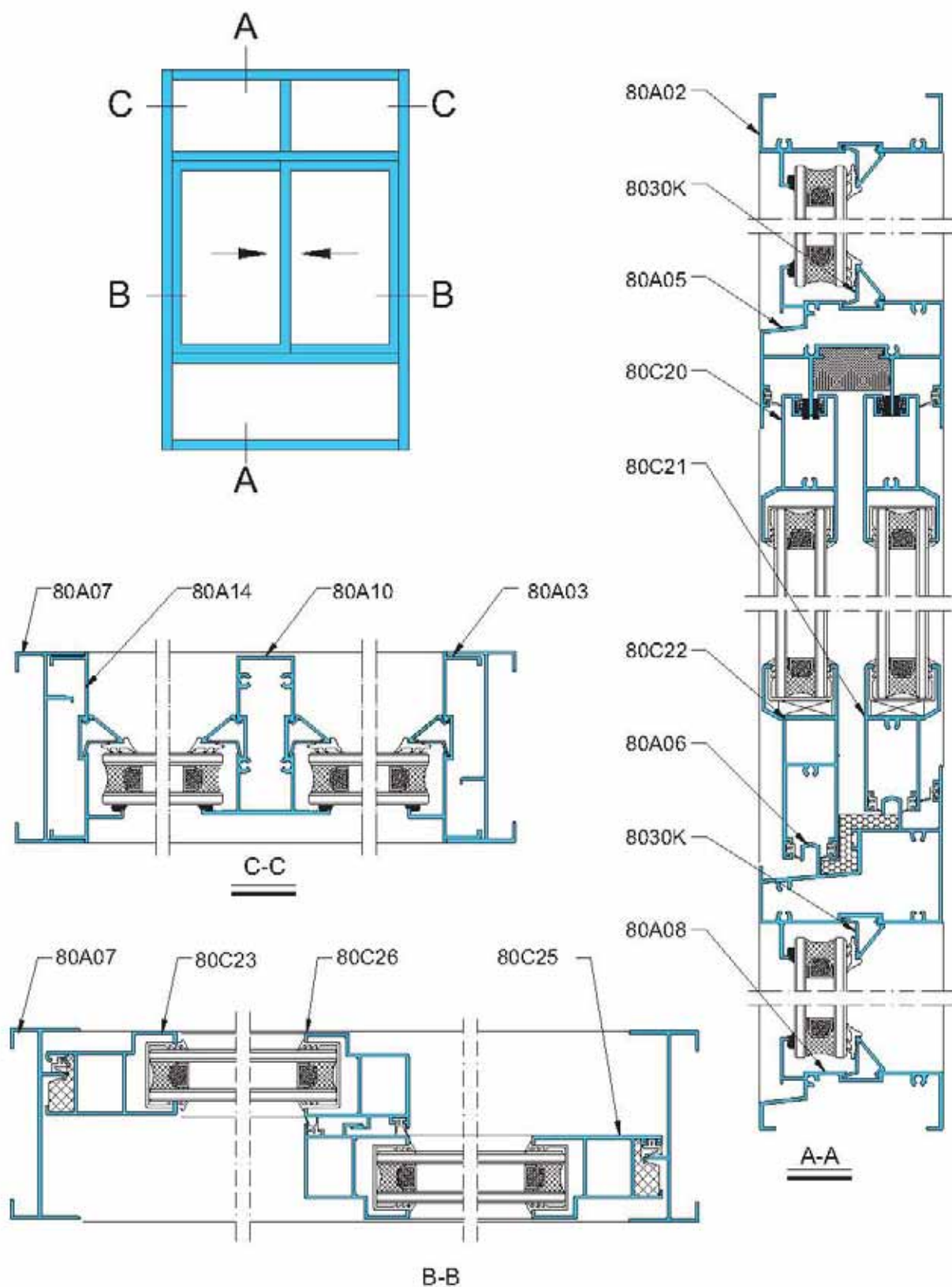
80B88 series sliding window (Glass:5+9A+5,wall thickness 1.4mm)



专利产品，防冒必究

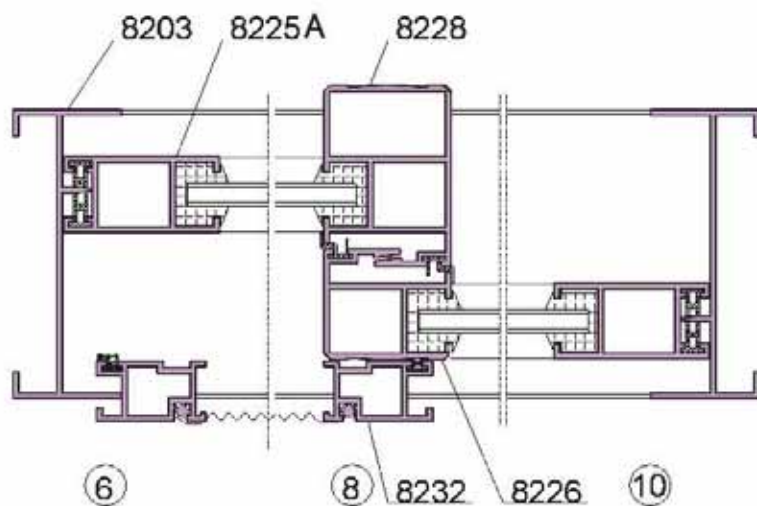
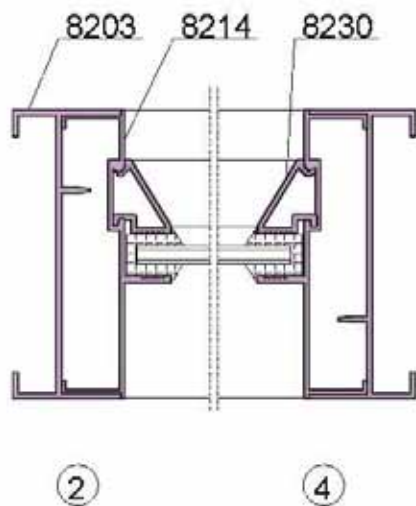
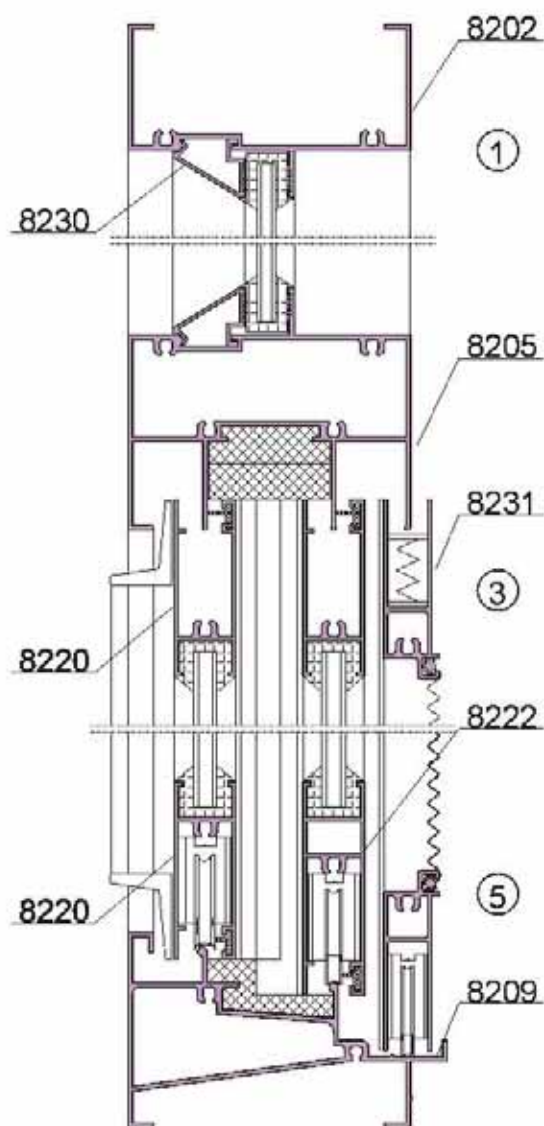
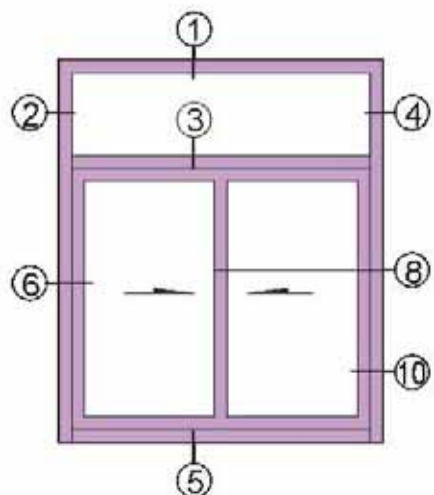
80C88系列推拉窗装配图 (5+12A+5 壁厚1.4mm)

80C88 series sliding window (Glass:5+12A+5,wall thickness 1.4mm)

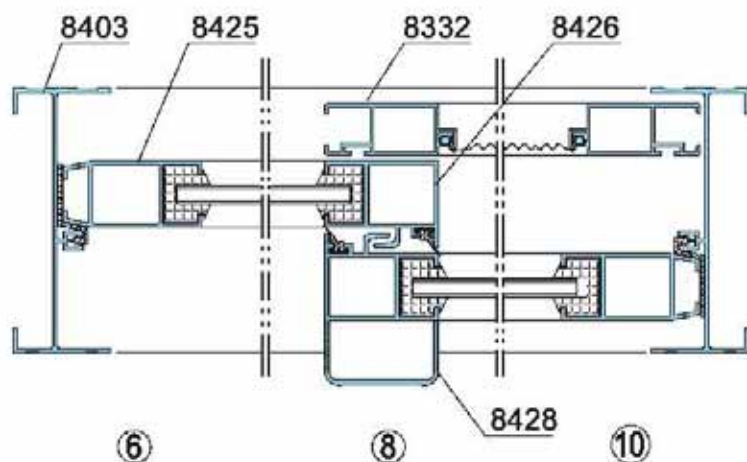
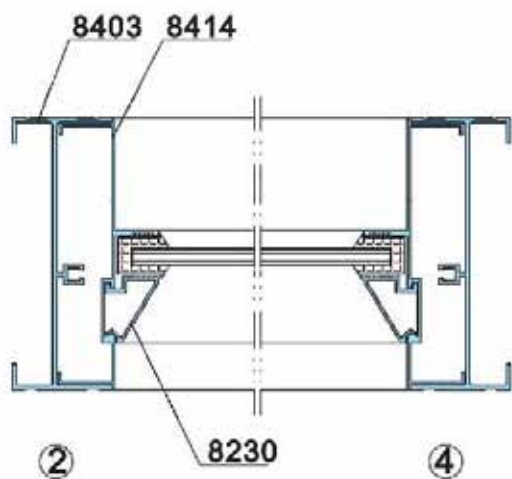
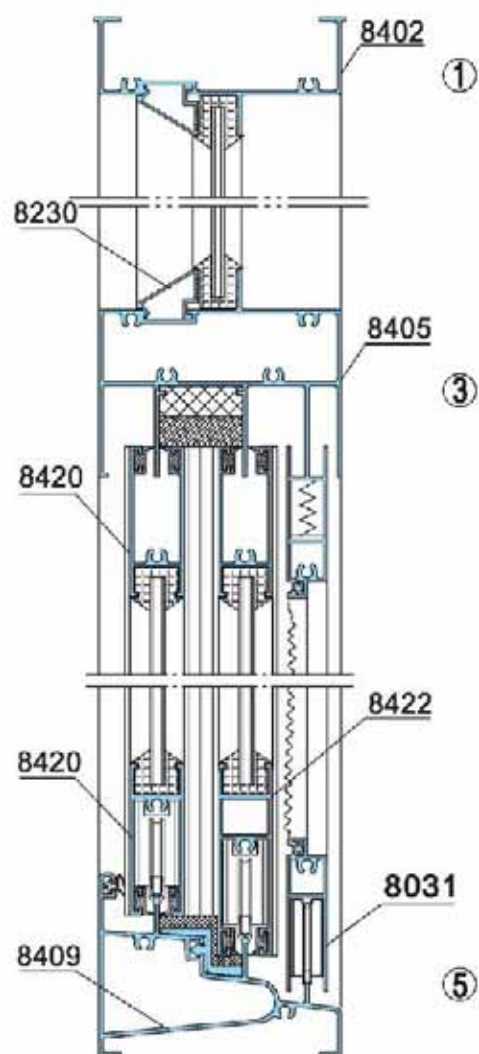
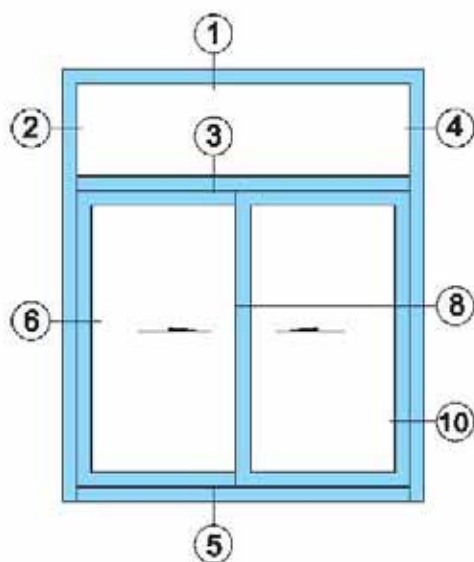


XJ828 系列高气密超值推拉窗型材装配图

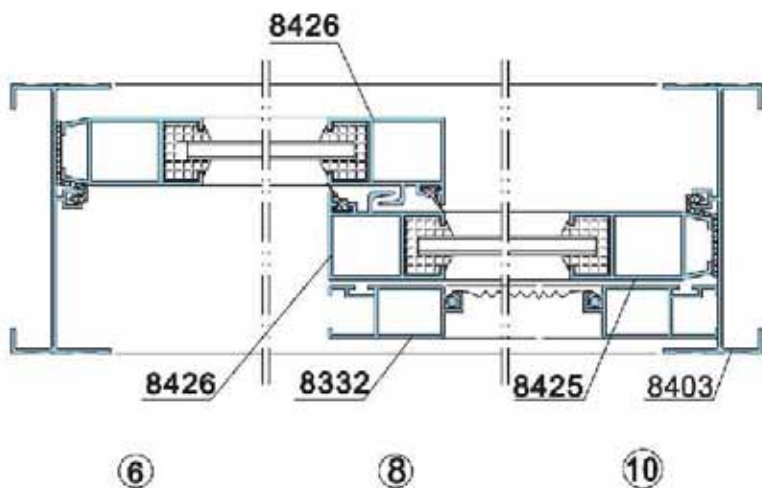
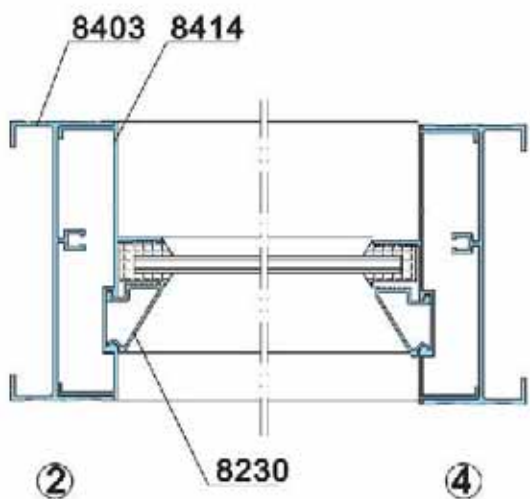
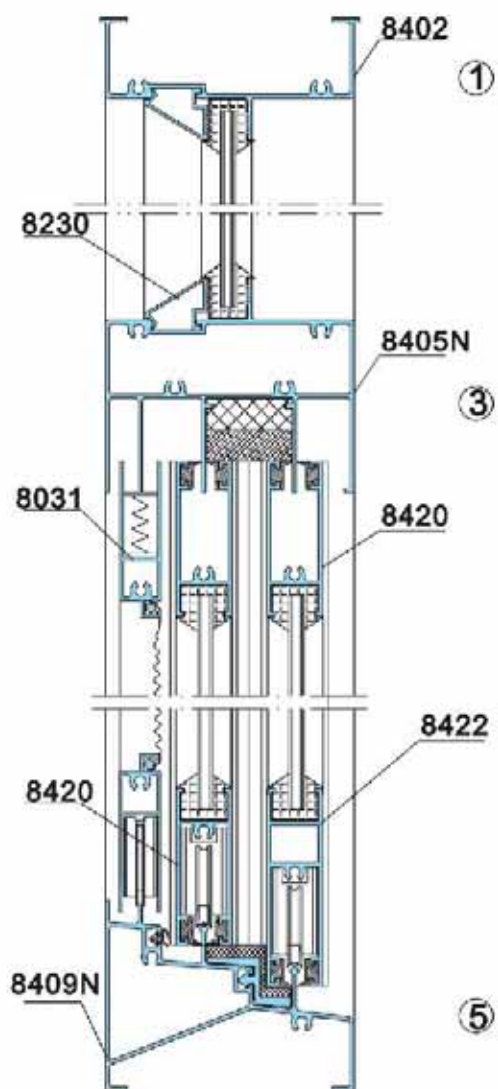
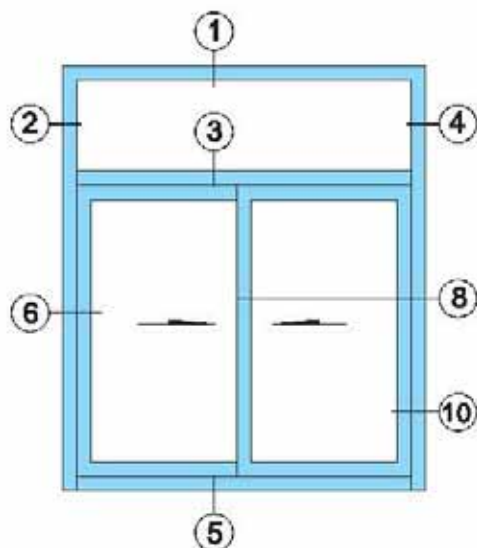
XJ828 series high airproof valuable sliding window



XJ858 系列高气密超值推拉窗（外纱）型材装配图
 XJ858 series high airproof valuable sliding window (with outside screen)

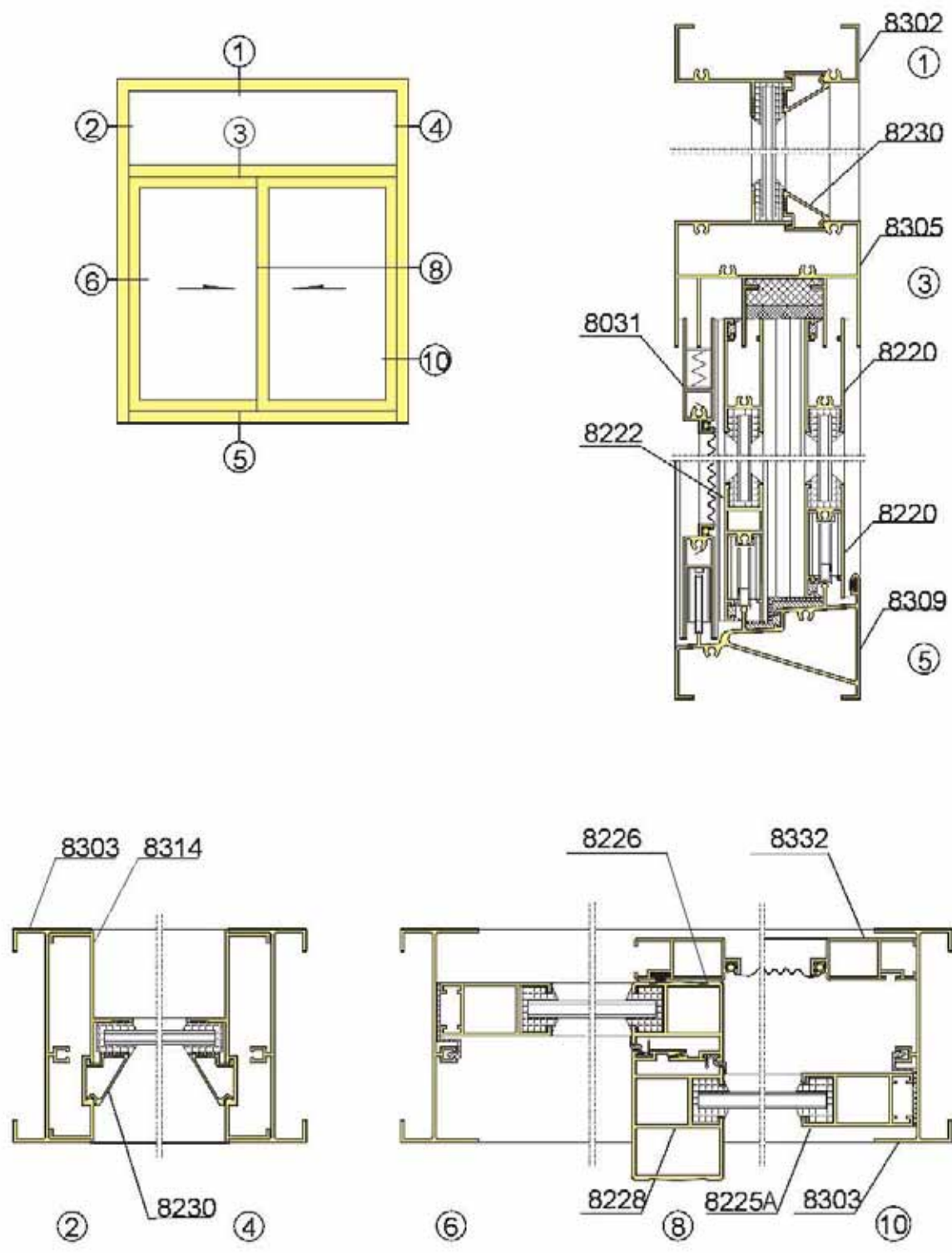


XJ858 系列高气密超值推拉窗（内纱）型材装配图
 XJ858 series high airproof valuable sliding window (with inner screen)



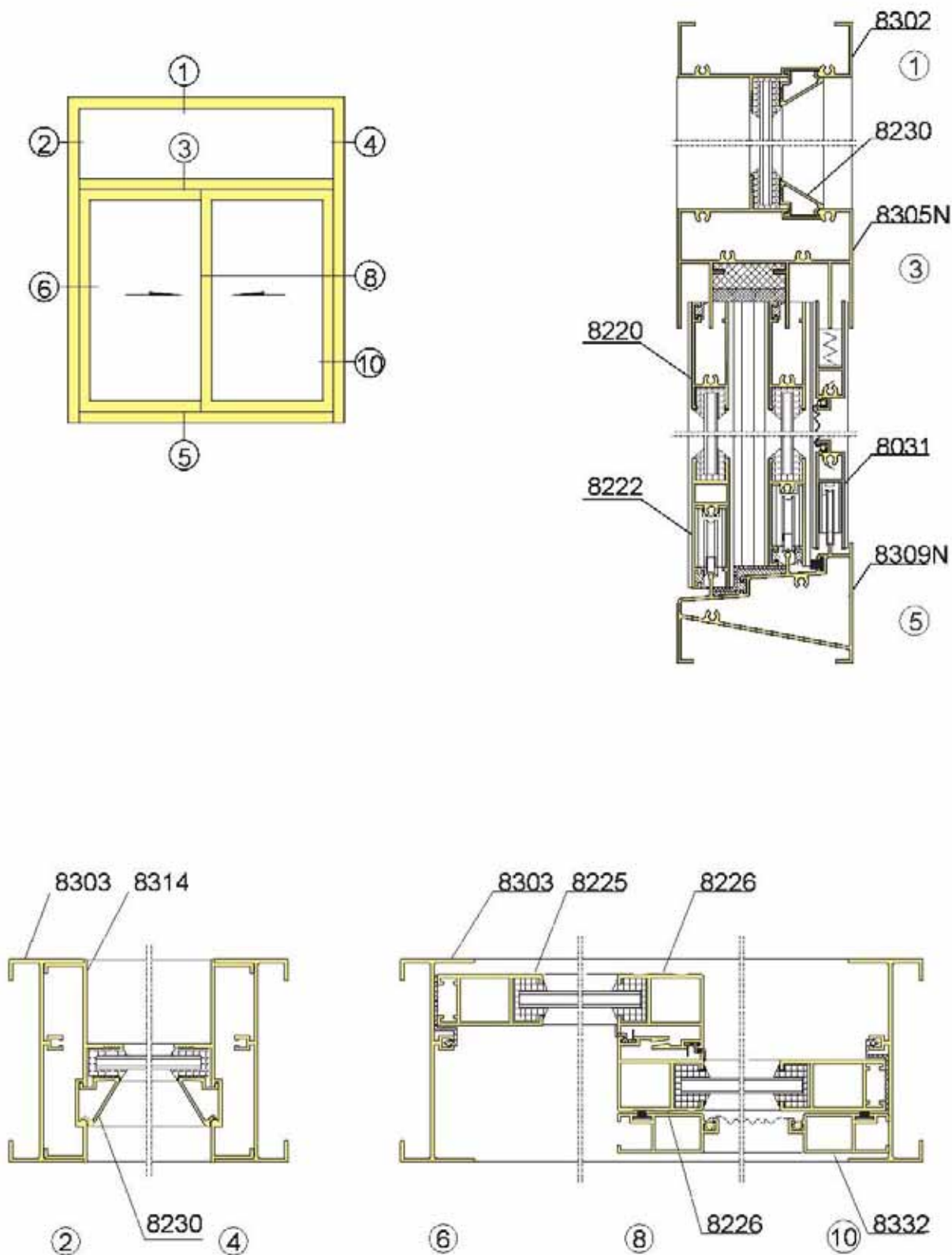
日本新 80-2 高气密超值推拉窗（外纱）型材装配图

Japan style New 80-2 series high airproof valuable sliding window (with outside screen)



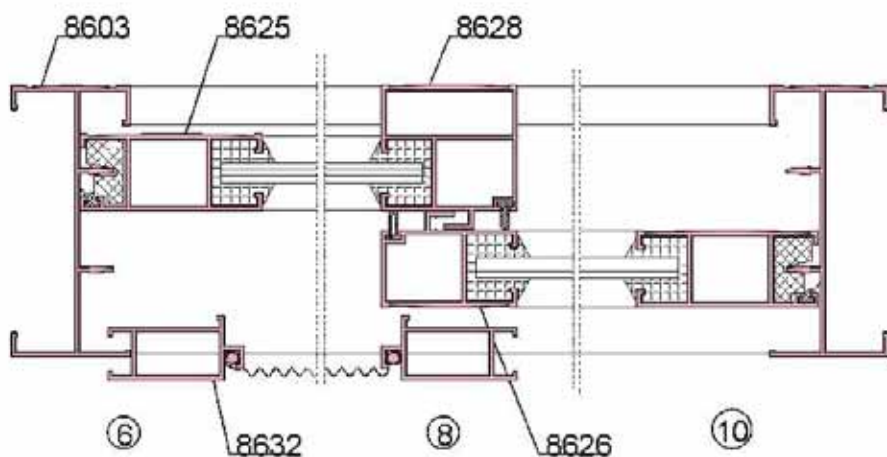
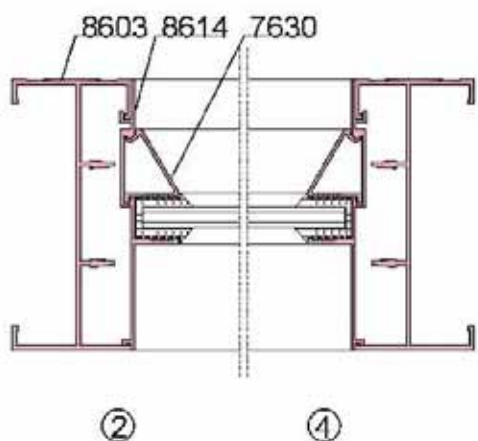
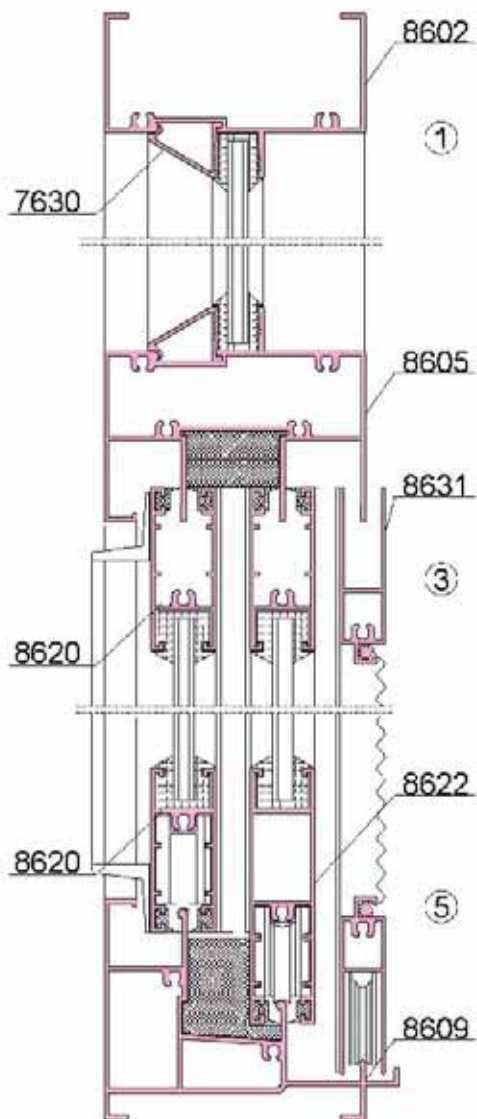
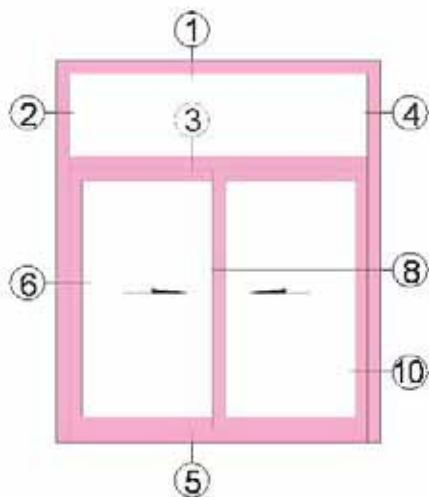
日本新 80-2 高气密超值推拉窗（内纱）型材装配图

Japan style New 80-2 series high airproof valuable sliding window (with inner screen)



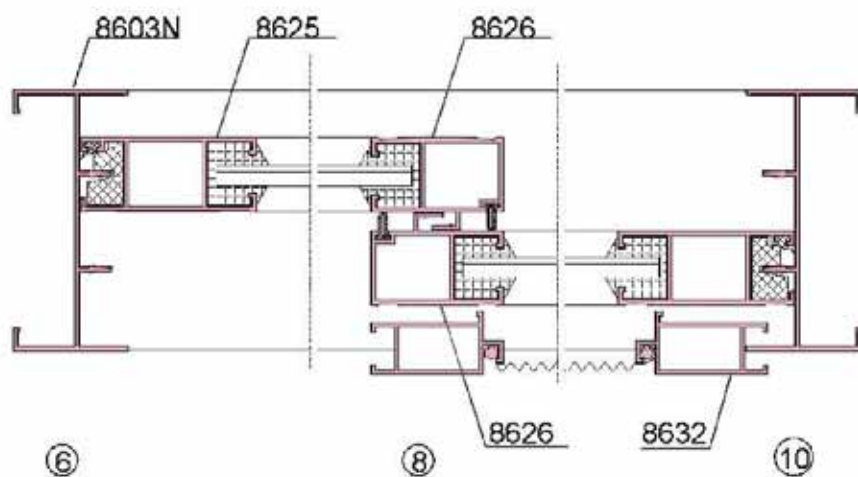
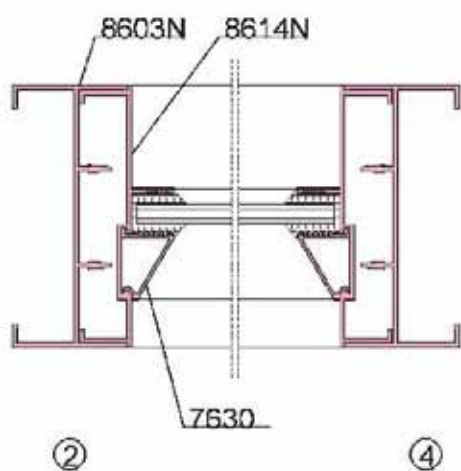
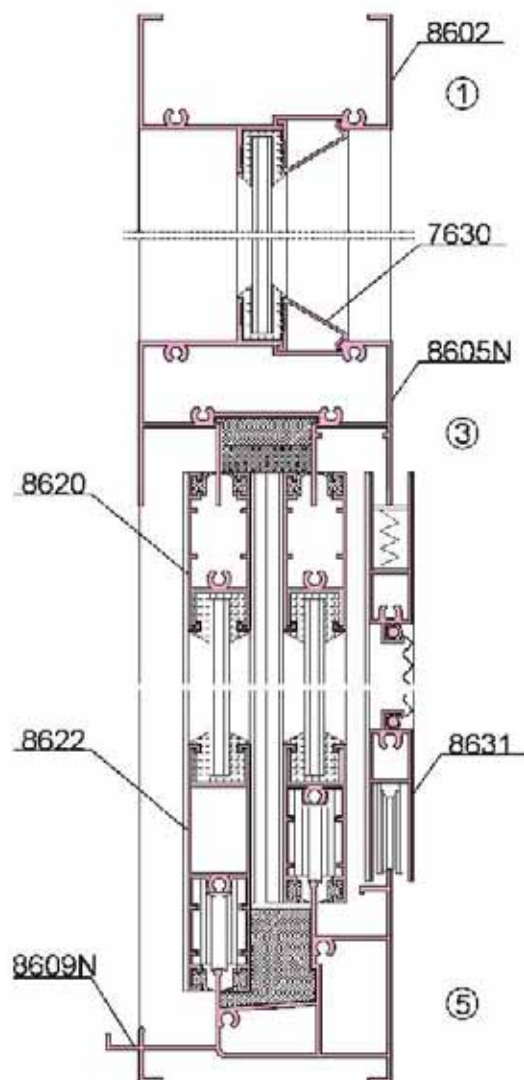
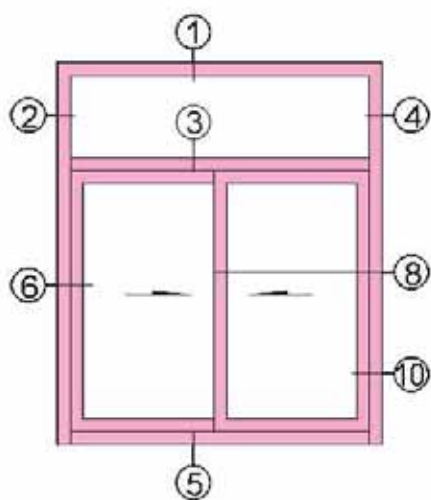
XJ866系列新型高气密超值推拉窗（外纱）型材装配图

XJ866 series high airproof valuable sliding window (with outside screen)



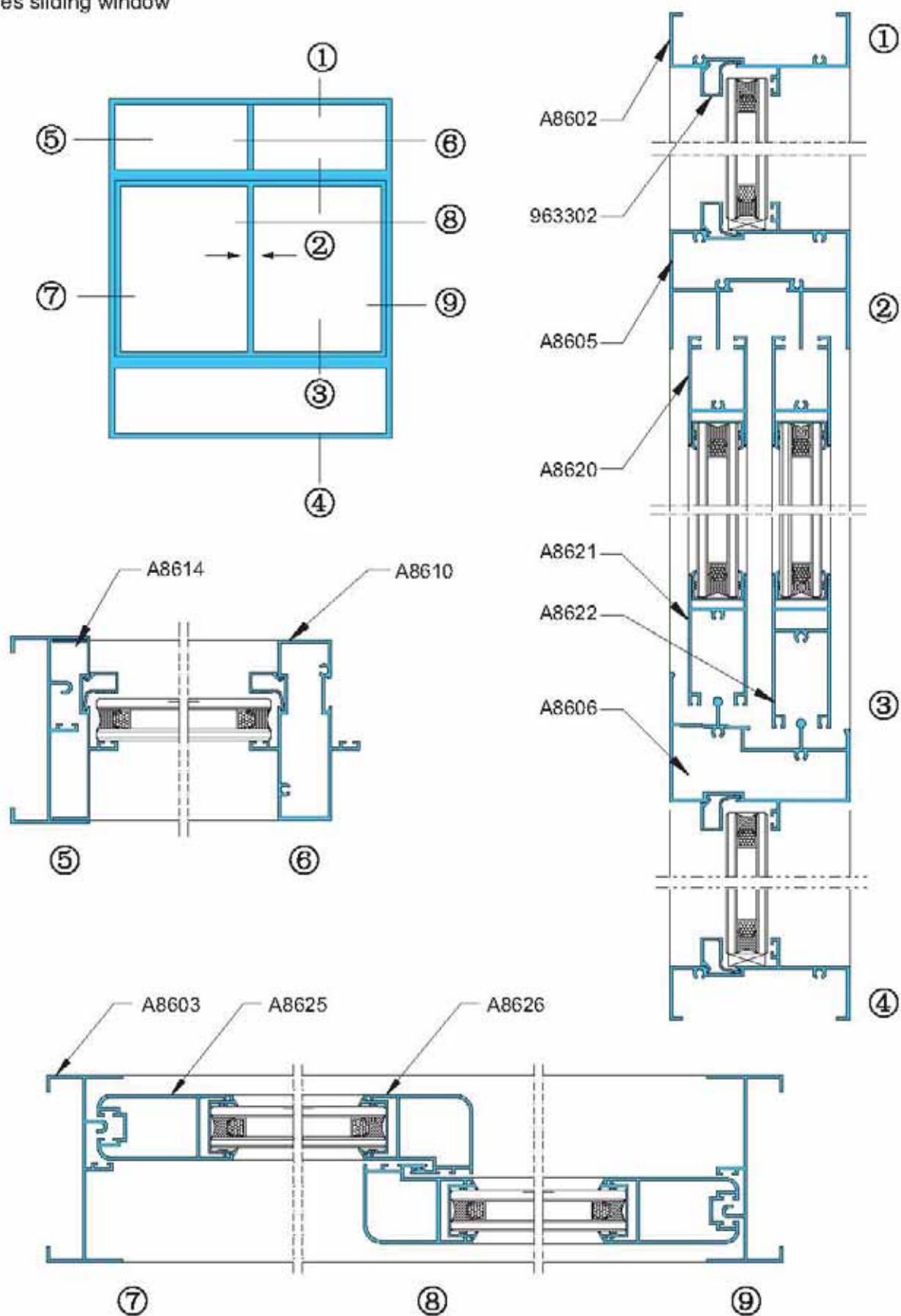
XJ866系列新型高气密超值推拉窗（内纱）型材装配图

XJ866 series high airproof valuable sliding window (with inner screen)



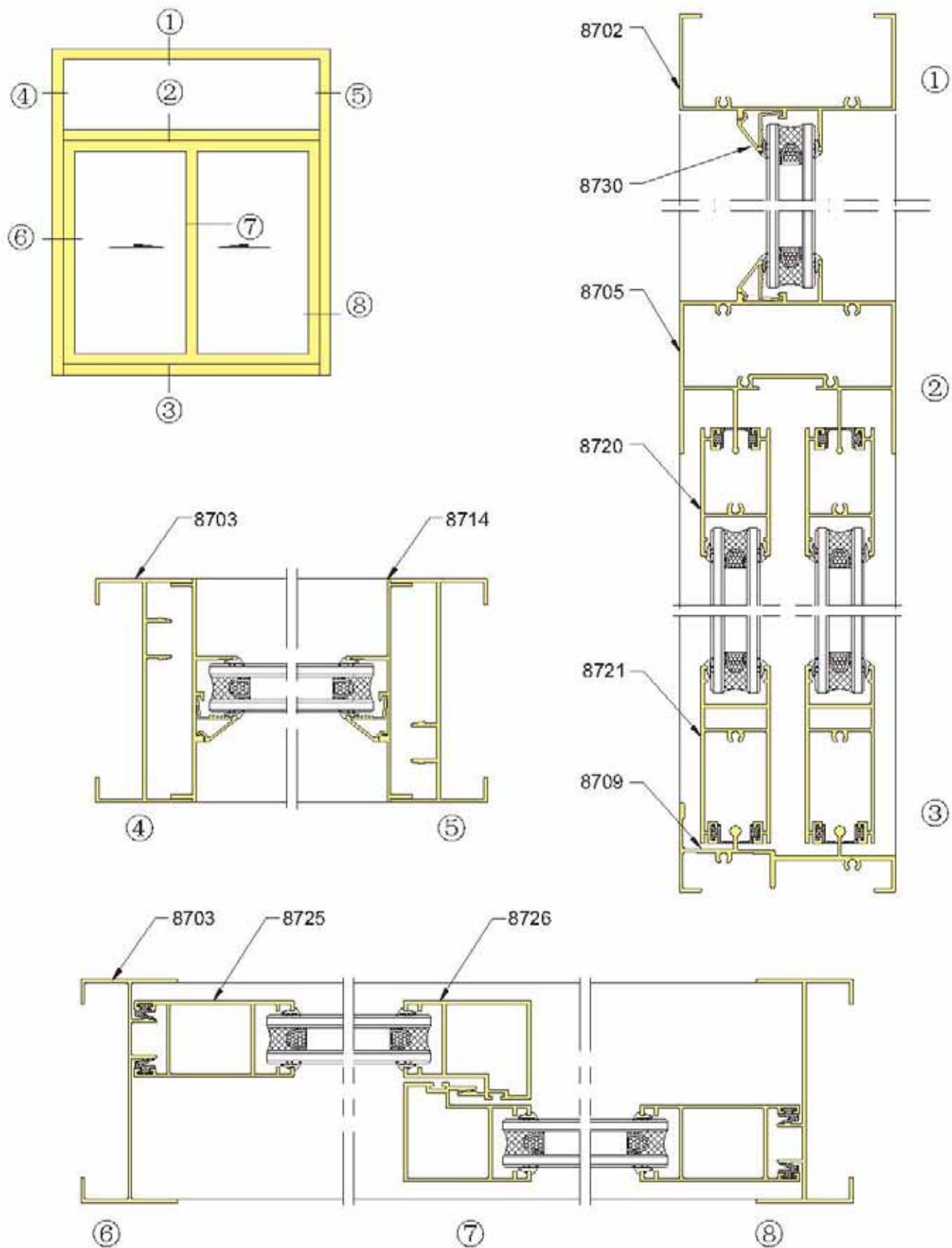
A868系列推拉窗装配图

A868 series sliding window



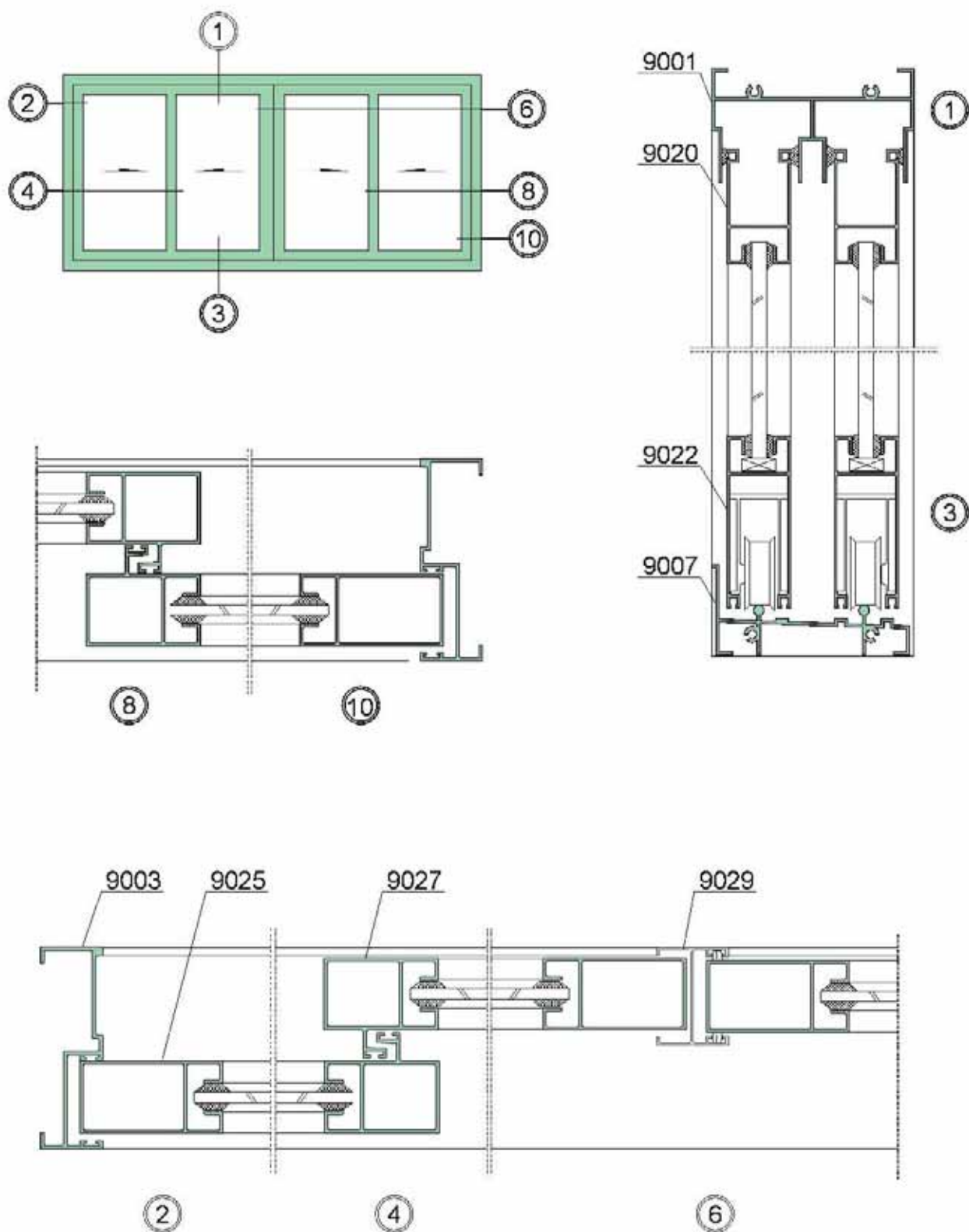
87系列推拉窗装配图

87 series sliding window



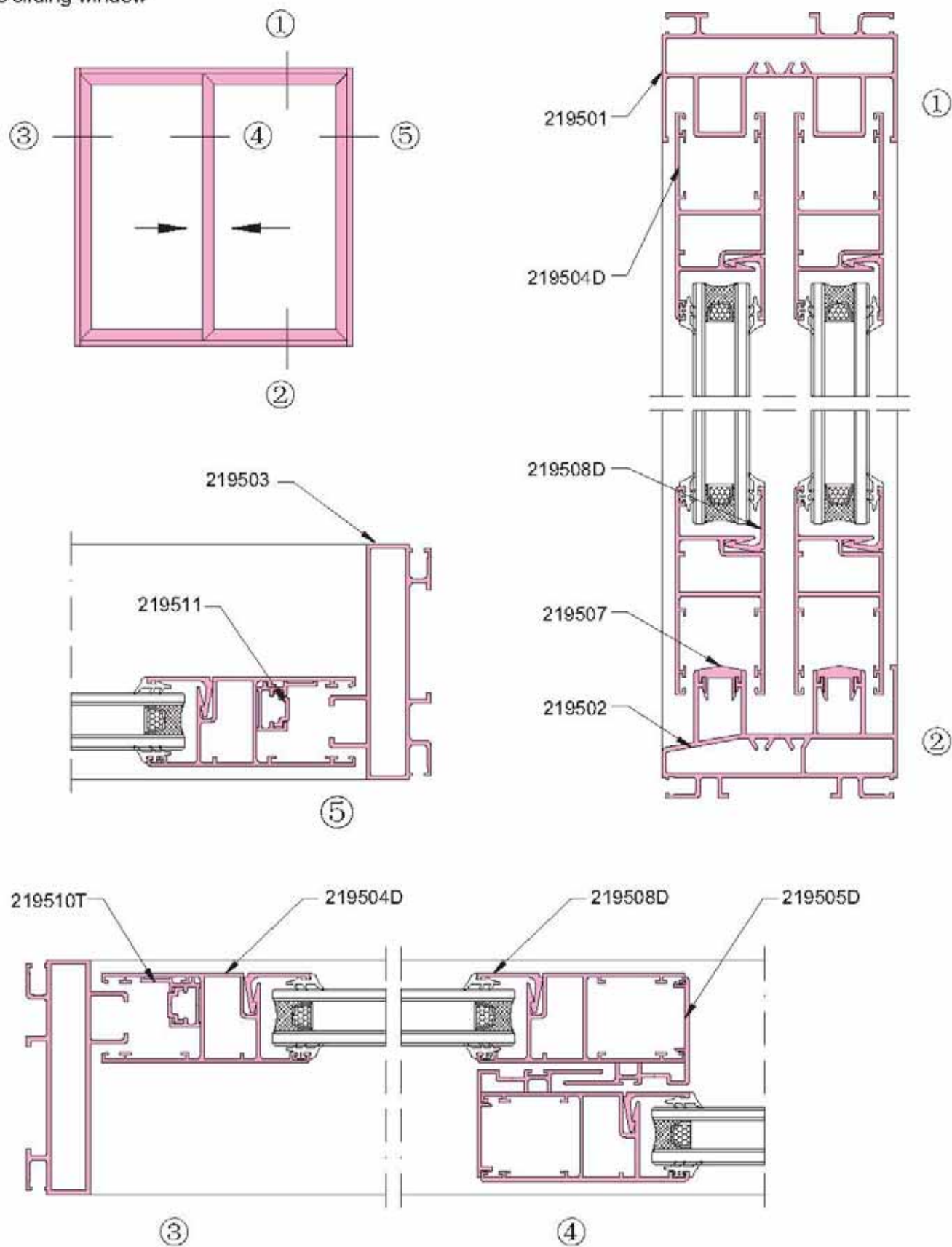
XJ 新 90 系列气密推拉门、窗（中空、单玻）型材装配图

New XJ90 airtight sliding door, window (with insulating glass or single glass)



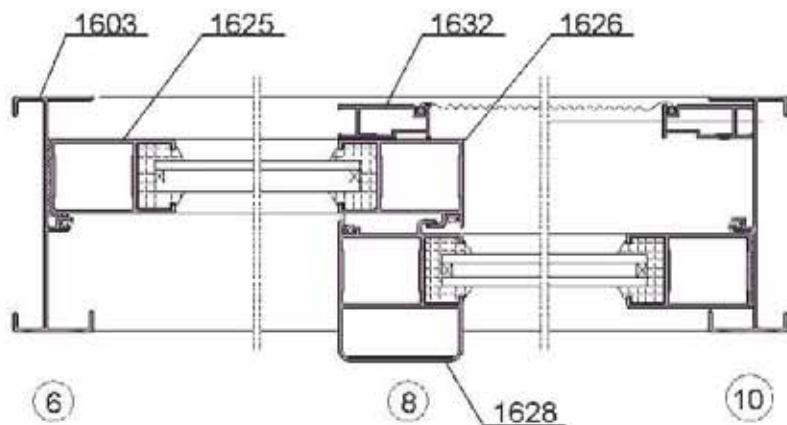
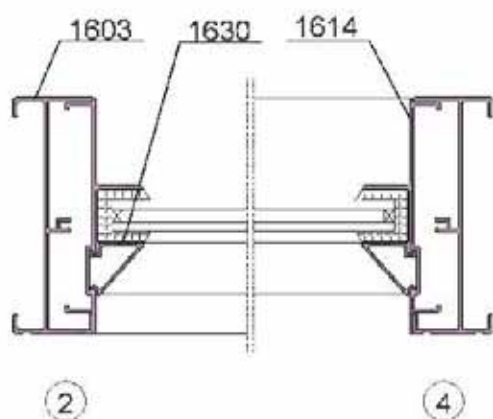
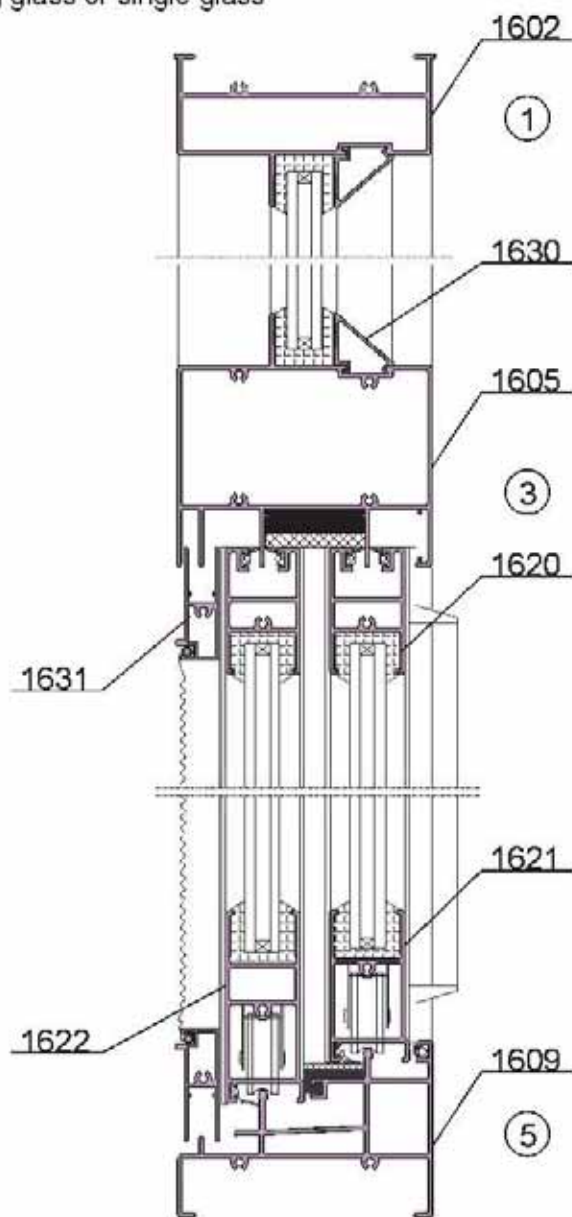
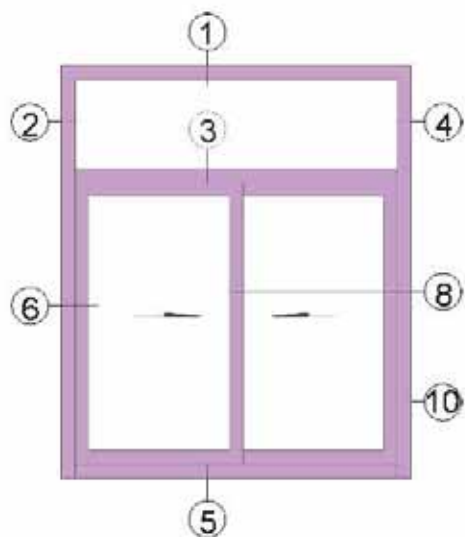
95系列推拉窗装配图

95 series sliding window



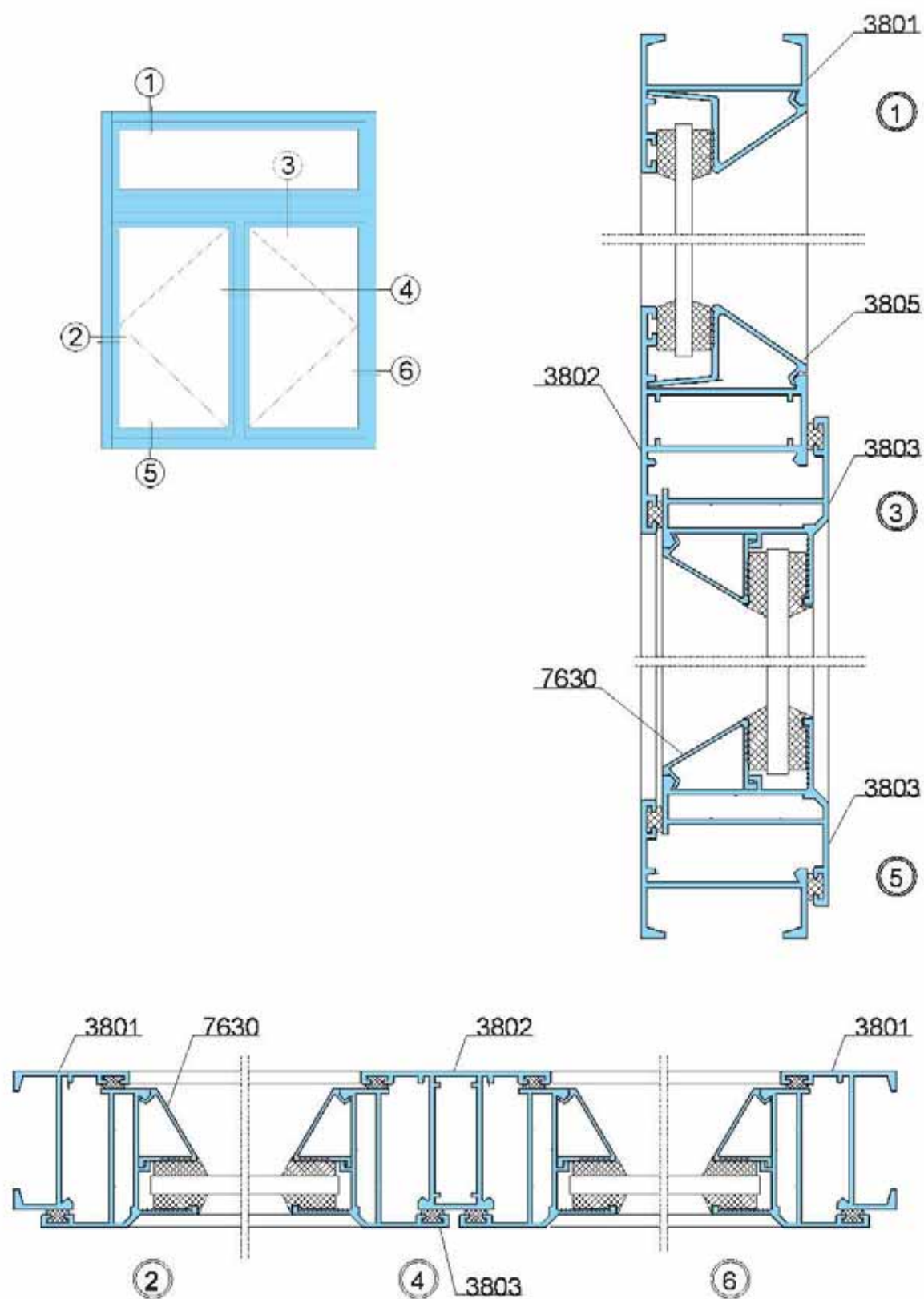
XJ1008 系列中空、单玻高气密推拉门、窗型材装配图

XJ1008 series high airproof sliding window, door with insulating glass or single glass



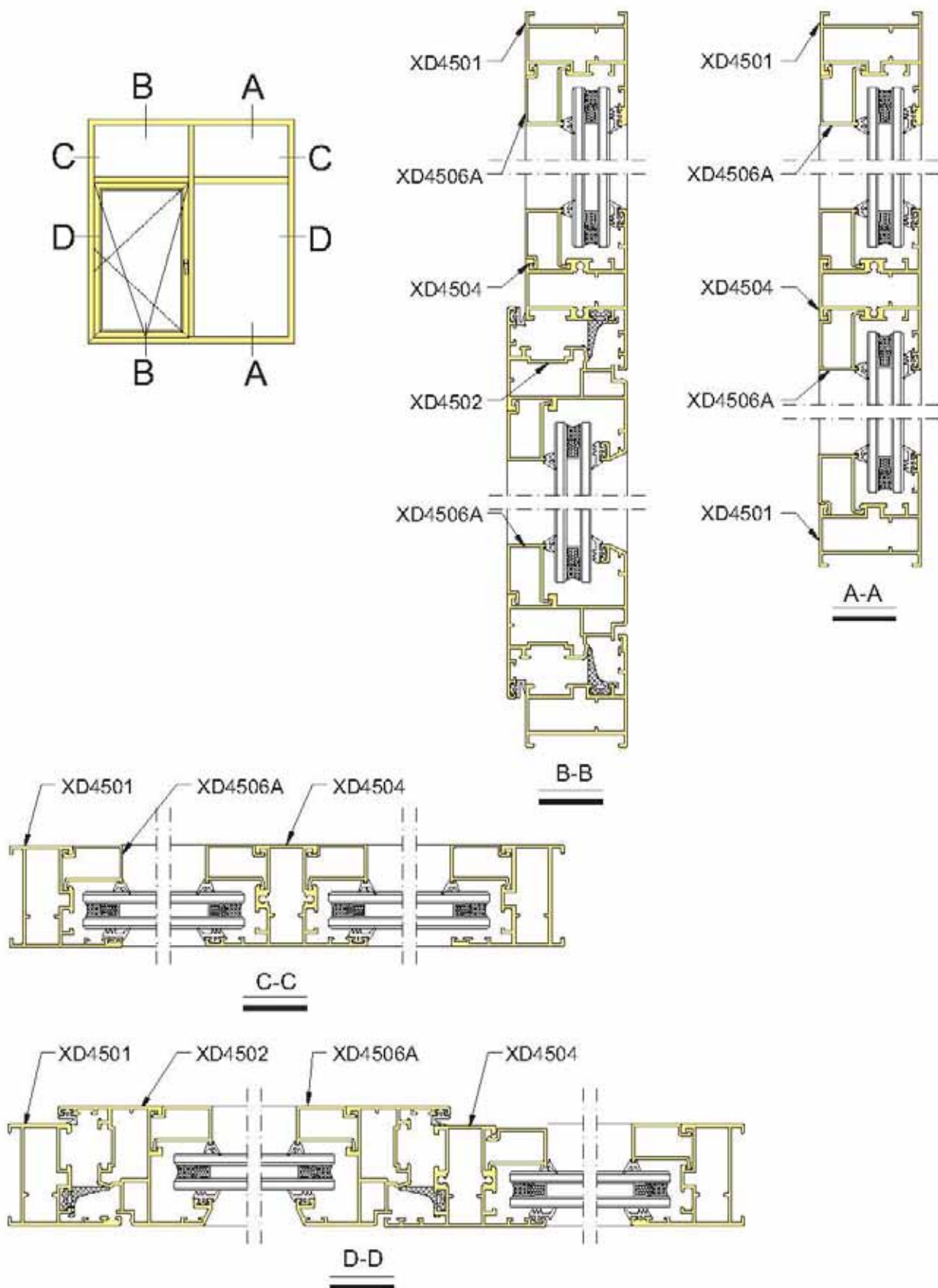
XJ38 平开窗（中空、单玻）型材装配图

XJ38 series outward opening casement window (with insulating glass or single glass)



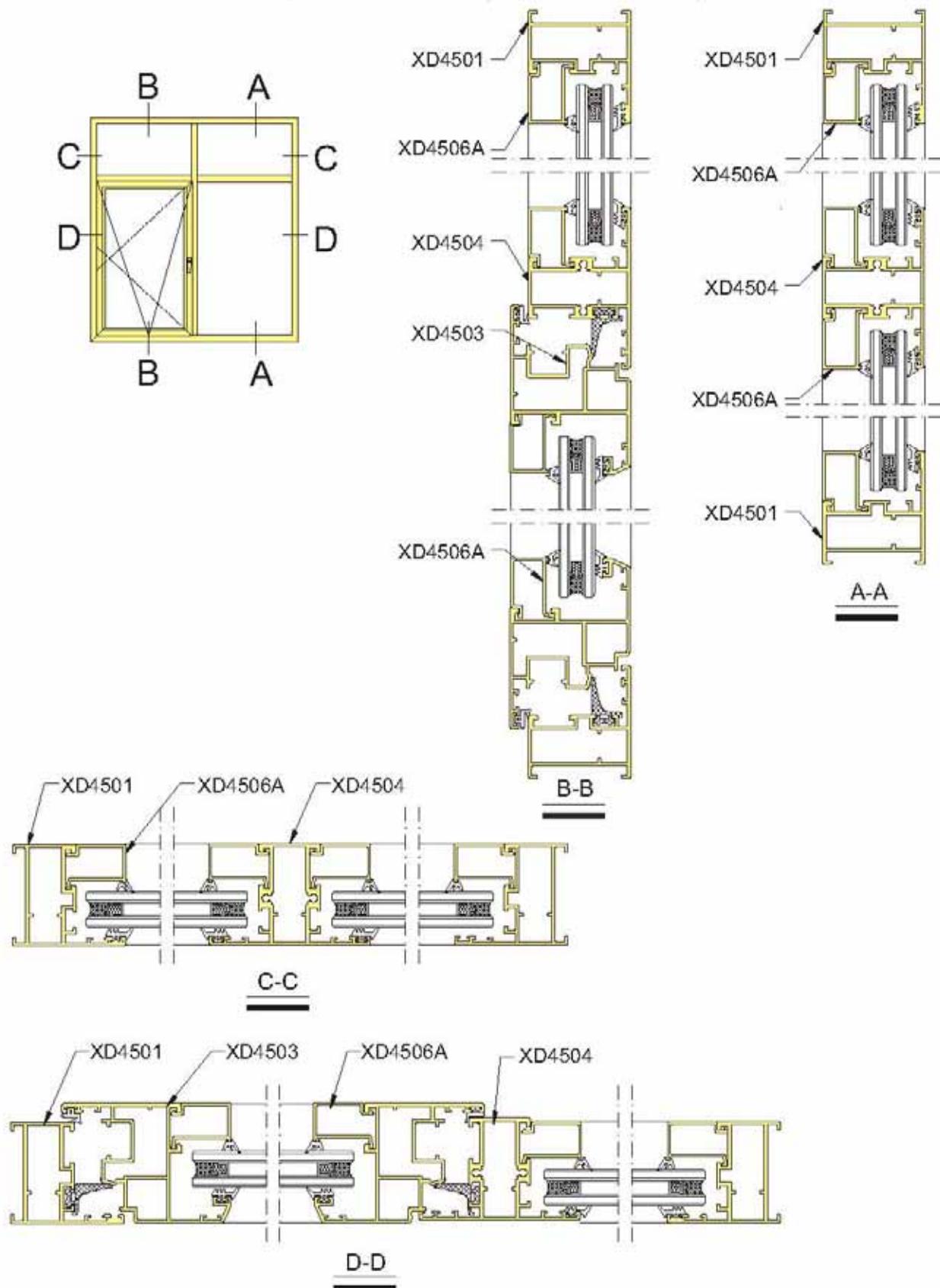
XD45系列内开内倒窗装配图 (铝合金槽口 壁厚1.4mm)

XD45 series inward tilt & turn opening casement window (wall thickness 1.4mm)



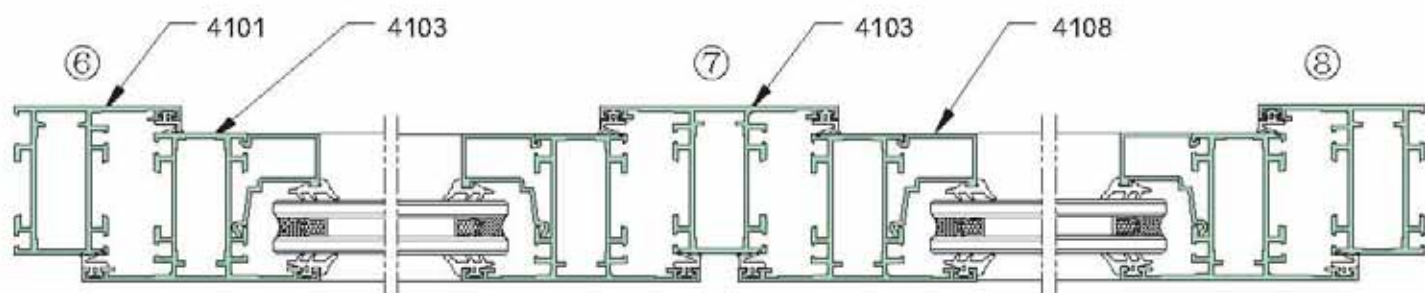
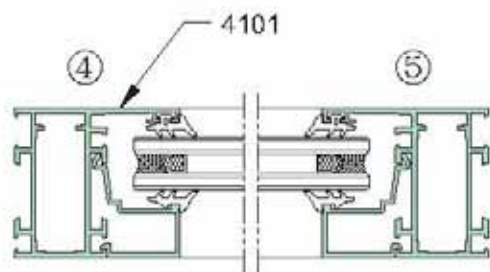
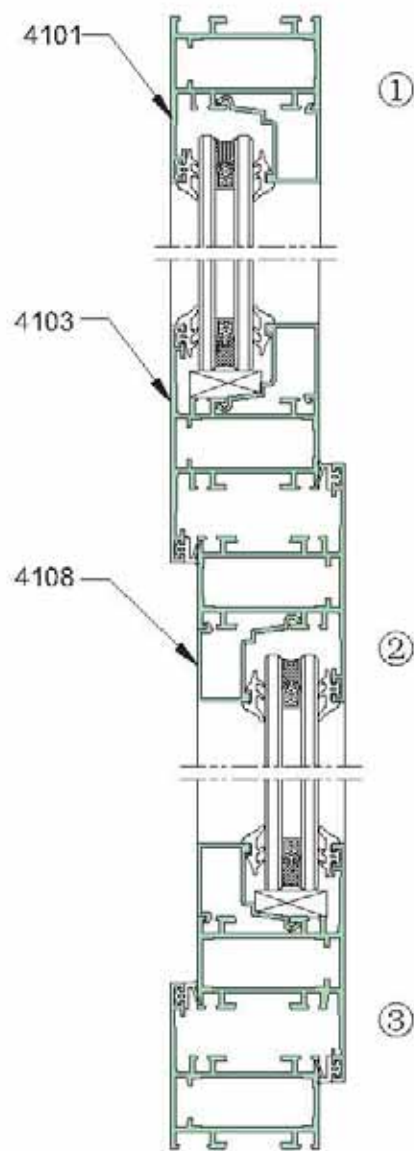
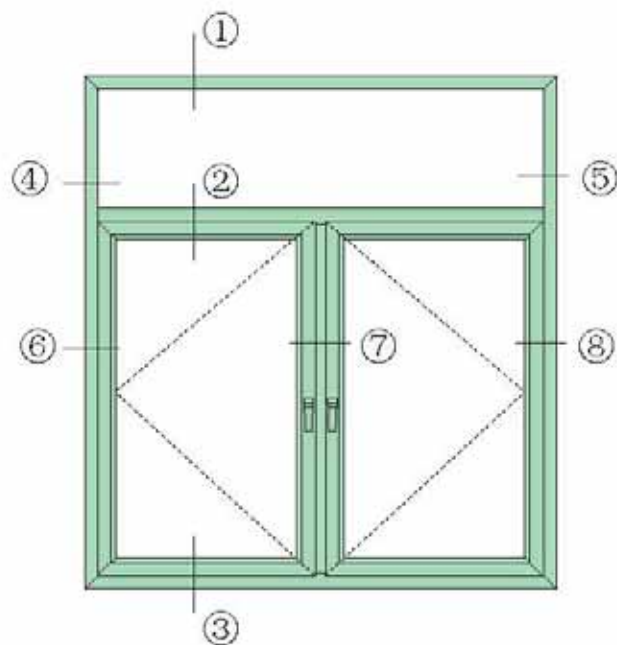
XD45系列内开内倒窗装配图 (塑钢槽口 壁厚1.4mm)

XD45 series inward tilt & turn opening casement window (wall thickness 1.4mm)



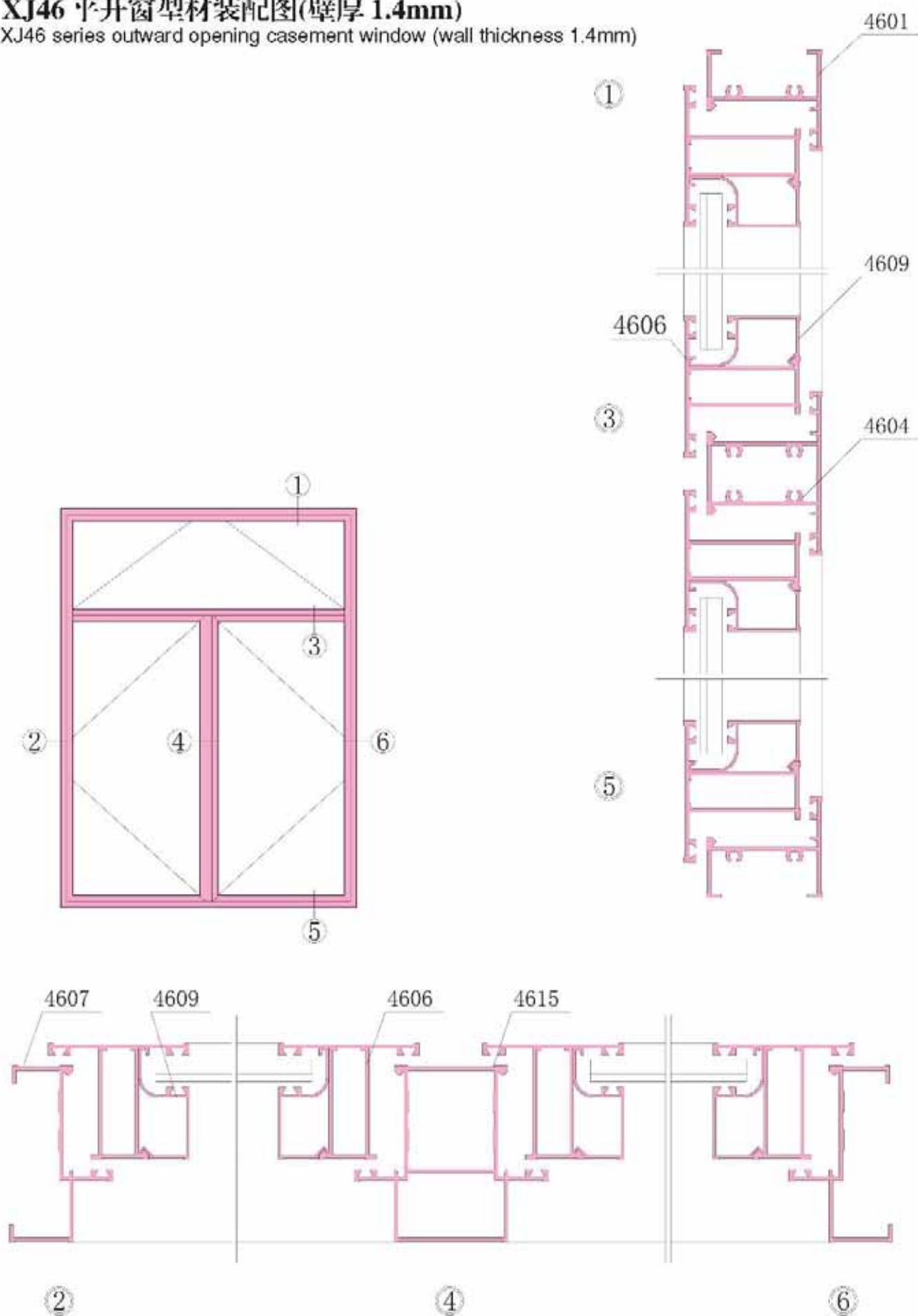
45系列外开窗装配图

45 series outward opening casement window



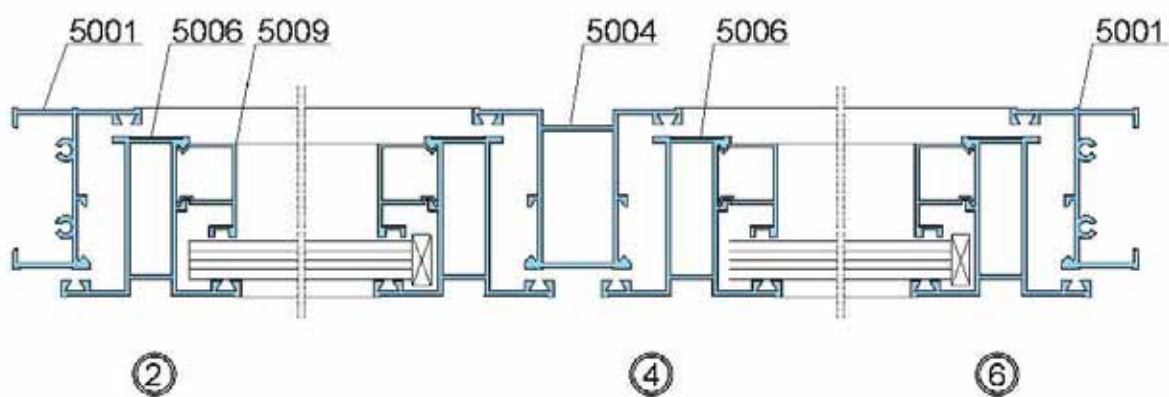
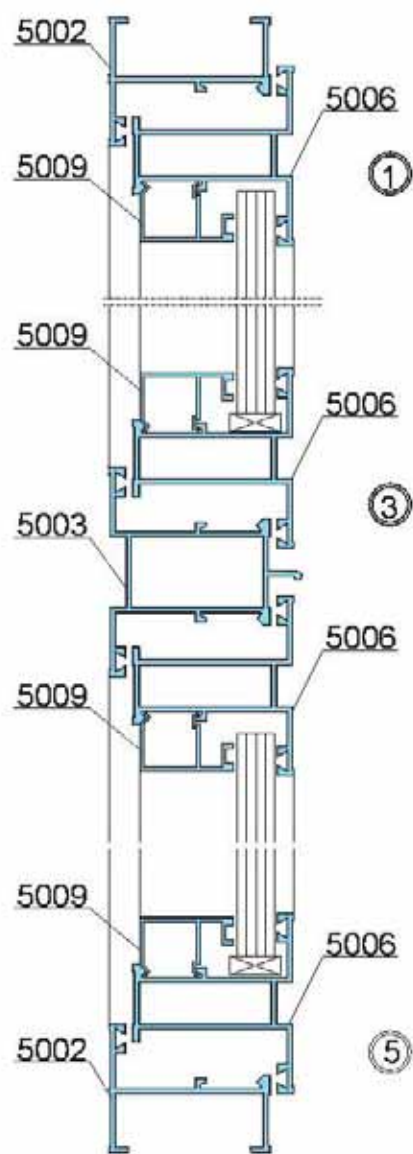
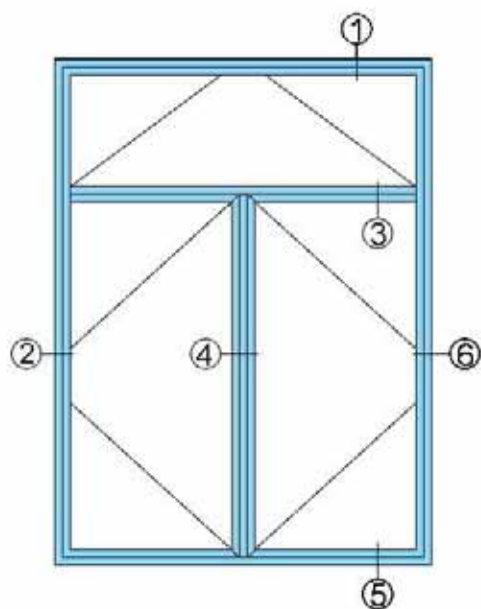
XJ46 平开窗型材装配图(壁厚 1.4mm)

XJ46 series outward opening casement window (wall thickness 1.4mm)



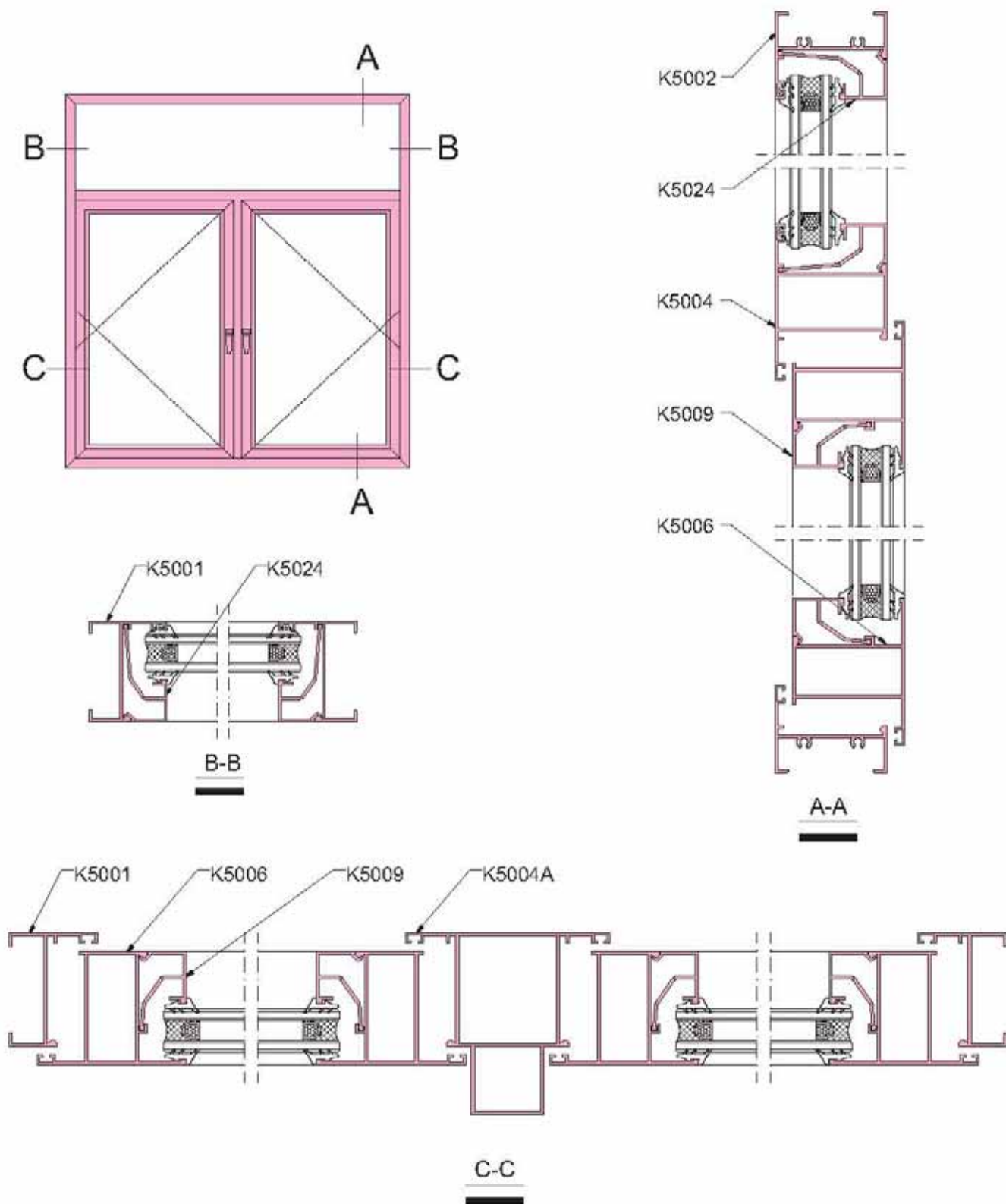
XJ50 平开窗型材装配图 (中空、单玻)

XJ50 series outward opening casement window (with insulating glass or single glass)



K50系列外开窗装配图 (壁厚1.4mm)

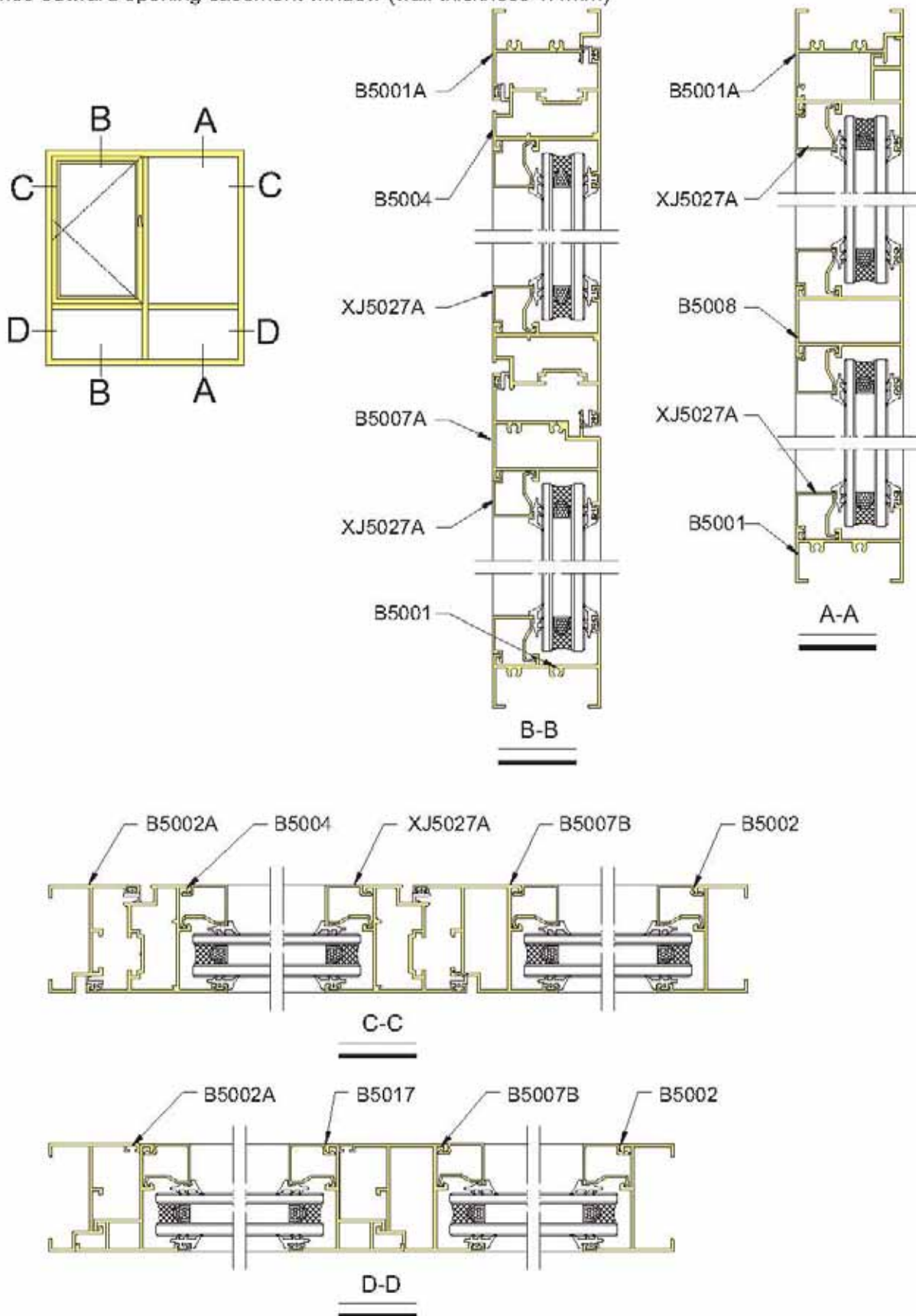
K50 series outward opening casement door (wall thickness 1.4mm)



专利产品，防冒必究

B50系列外开窗装配图（壁厚1.4mm）

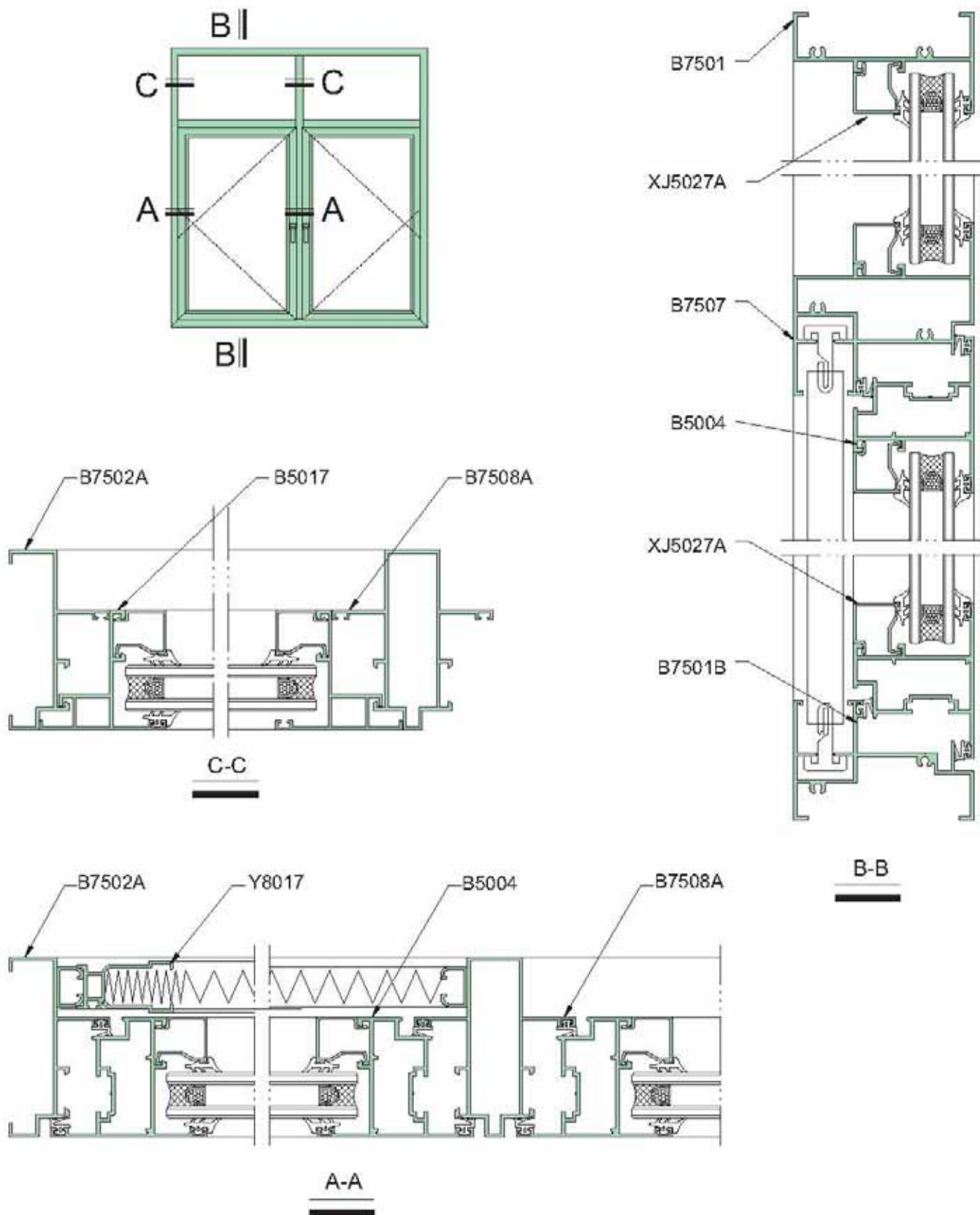
B50 series outward opening casement window (wall thickness 1.4mm)



专利产品，防冒必究

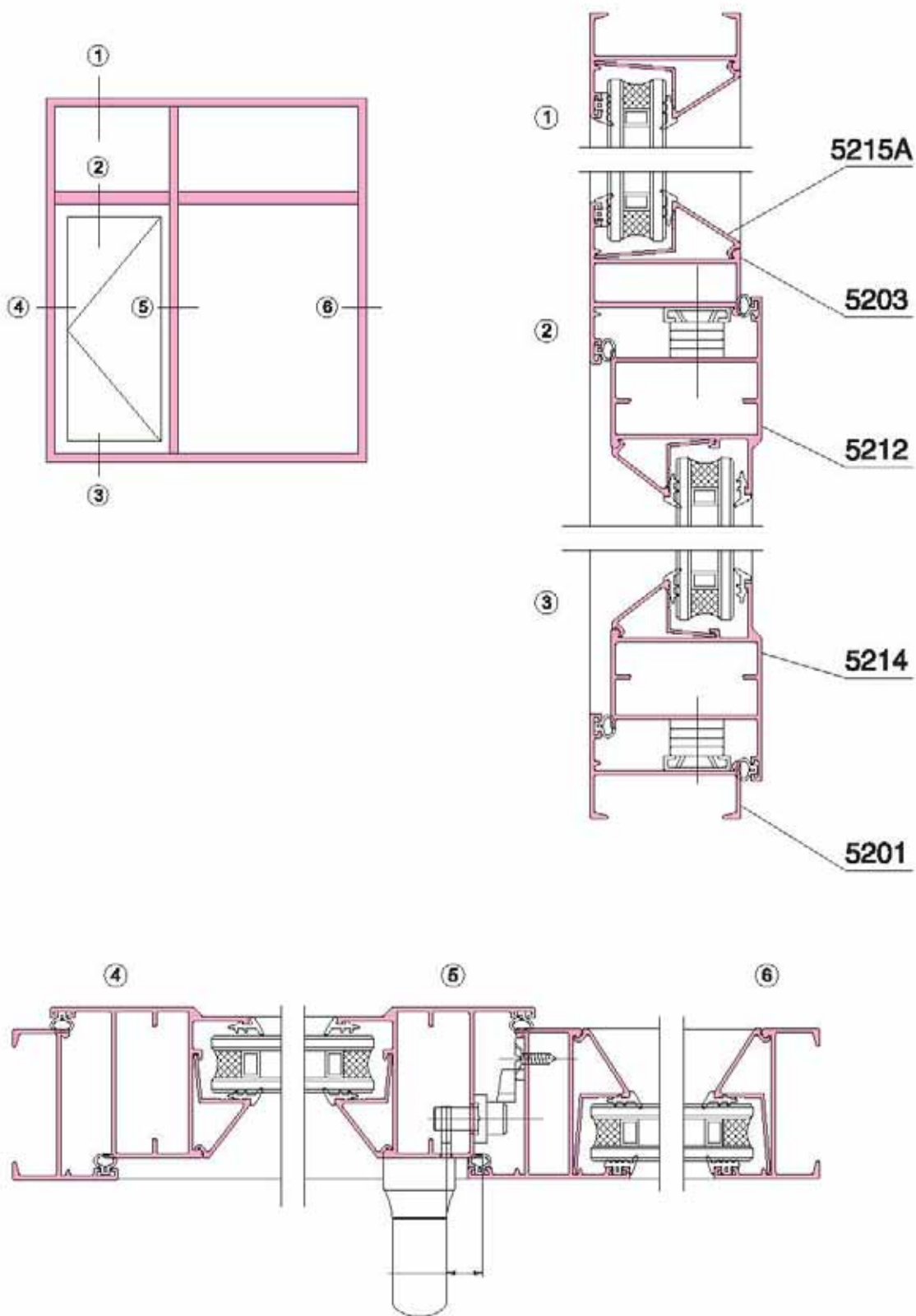
B75系列外开窗装配图（壁厚1.4mm）

B75 series outward opening casement window (wall thickness 1.4mm)



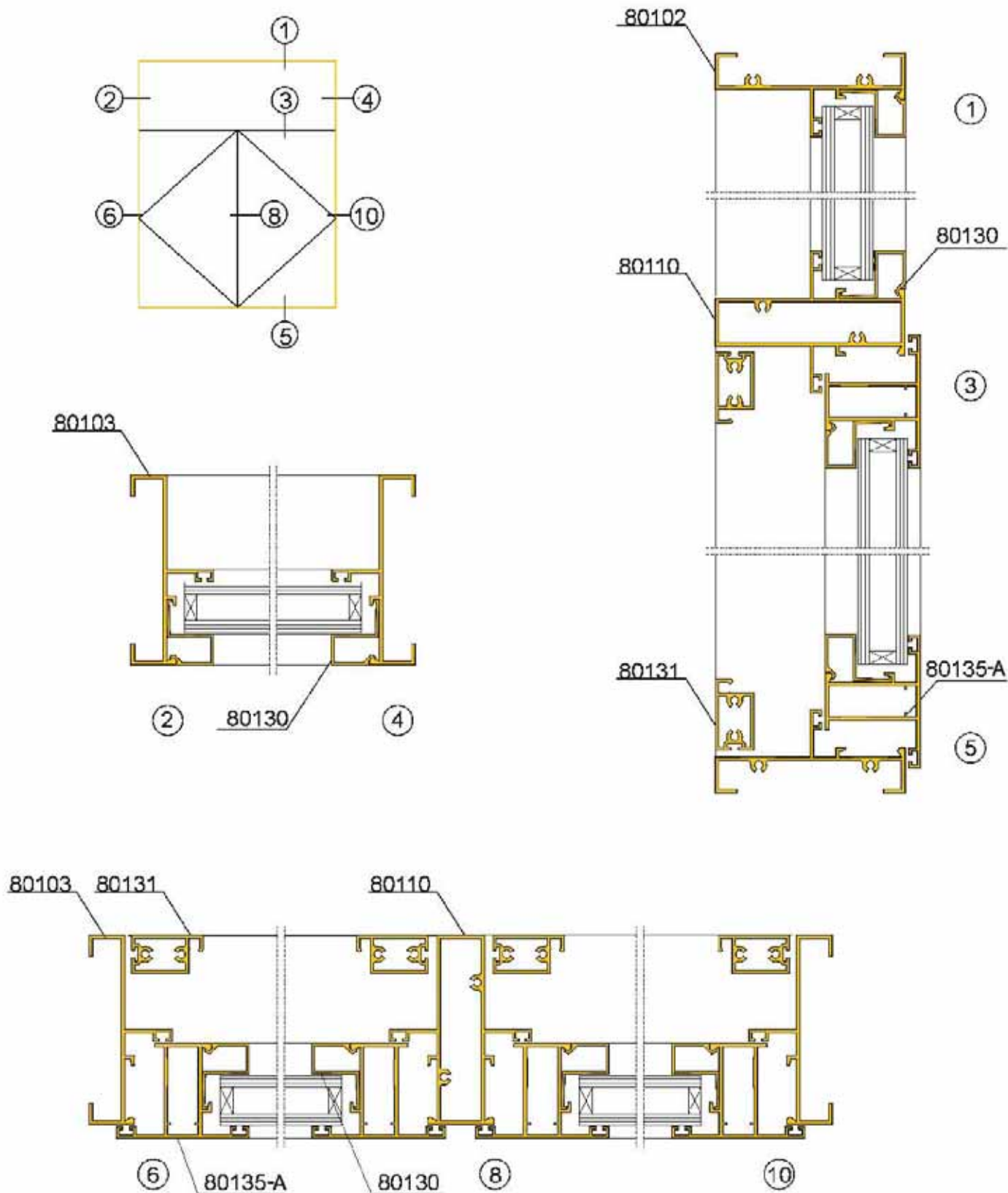
52系列外开窗装配图

52 series outward opening casement window



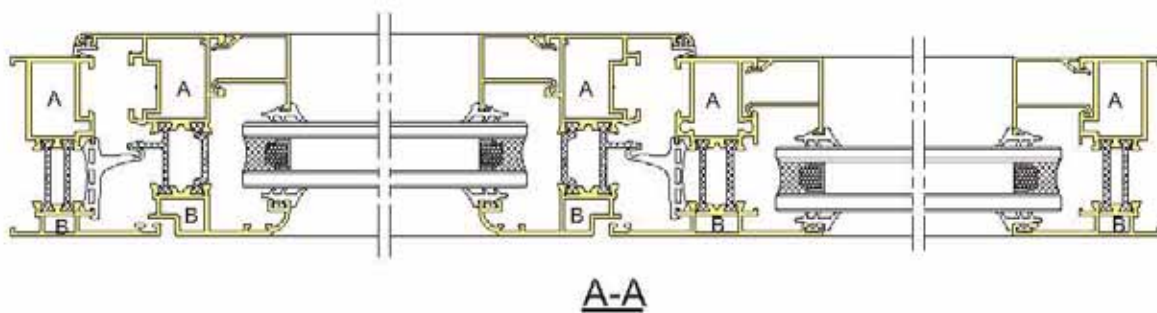
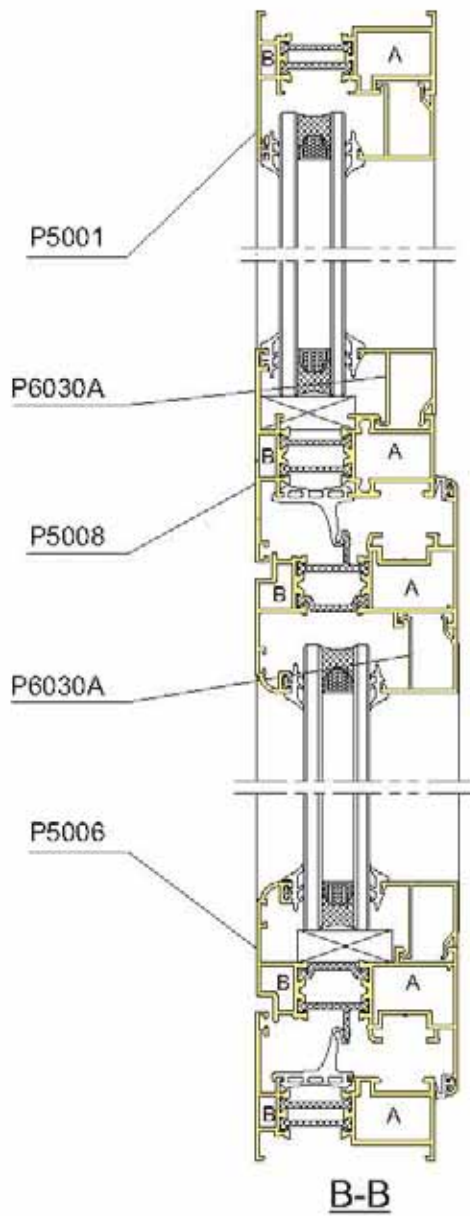
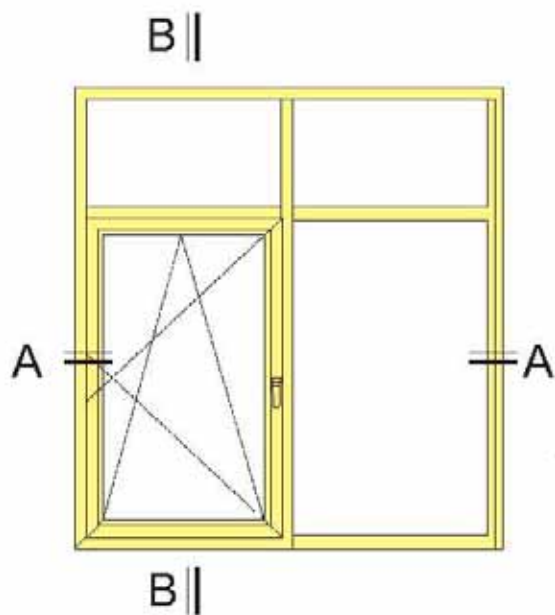
XJ80、90 外开窗 (中空、单玻) 型材装配图

XJ80,90 series outward opening casement window (with insulating glass, or single glass)



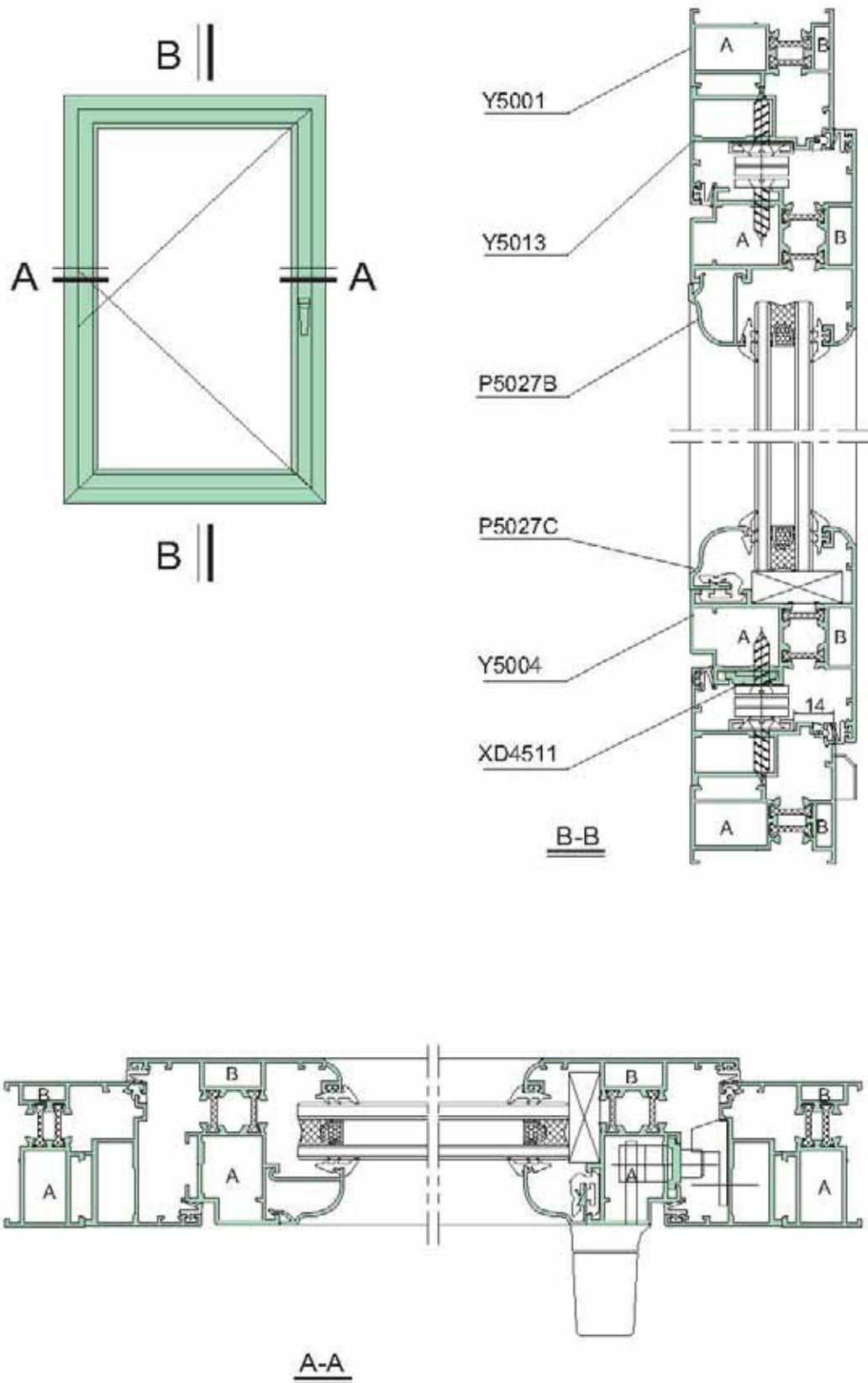
P60系列隔热节能环保型内开内倒窗装配图

P60 series thermal barrier inward tilt & turn opening casement window

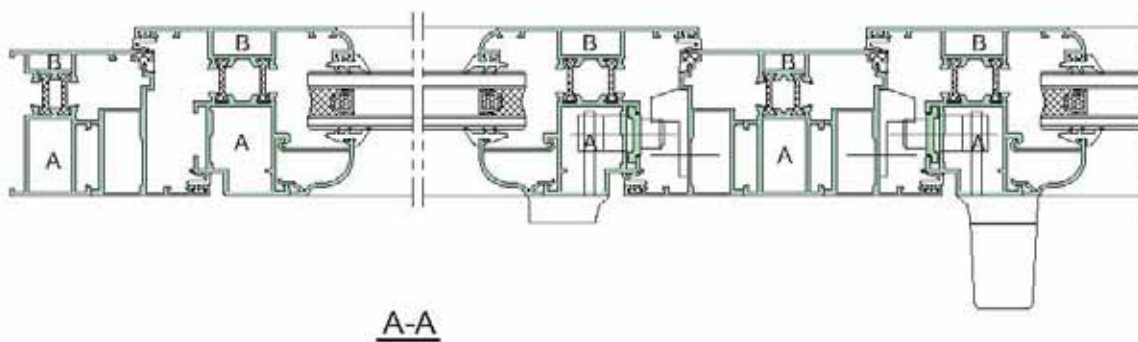
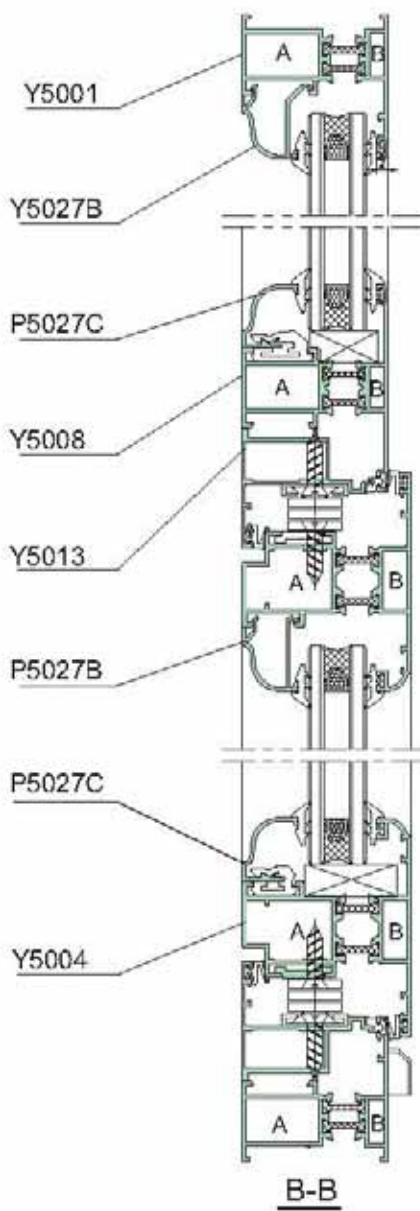
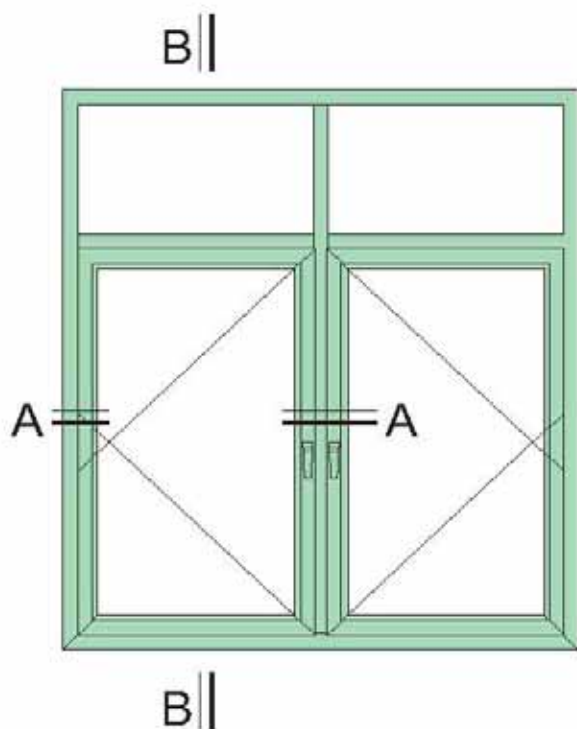


Y50系列隔热外平开窗装配图(带窗反转)

Y50 series thermal barrier outward opening casement window



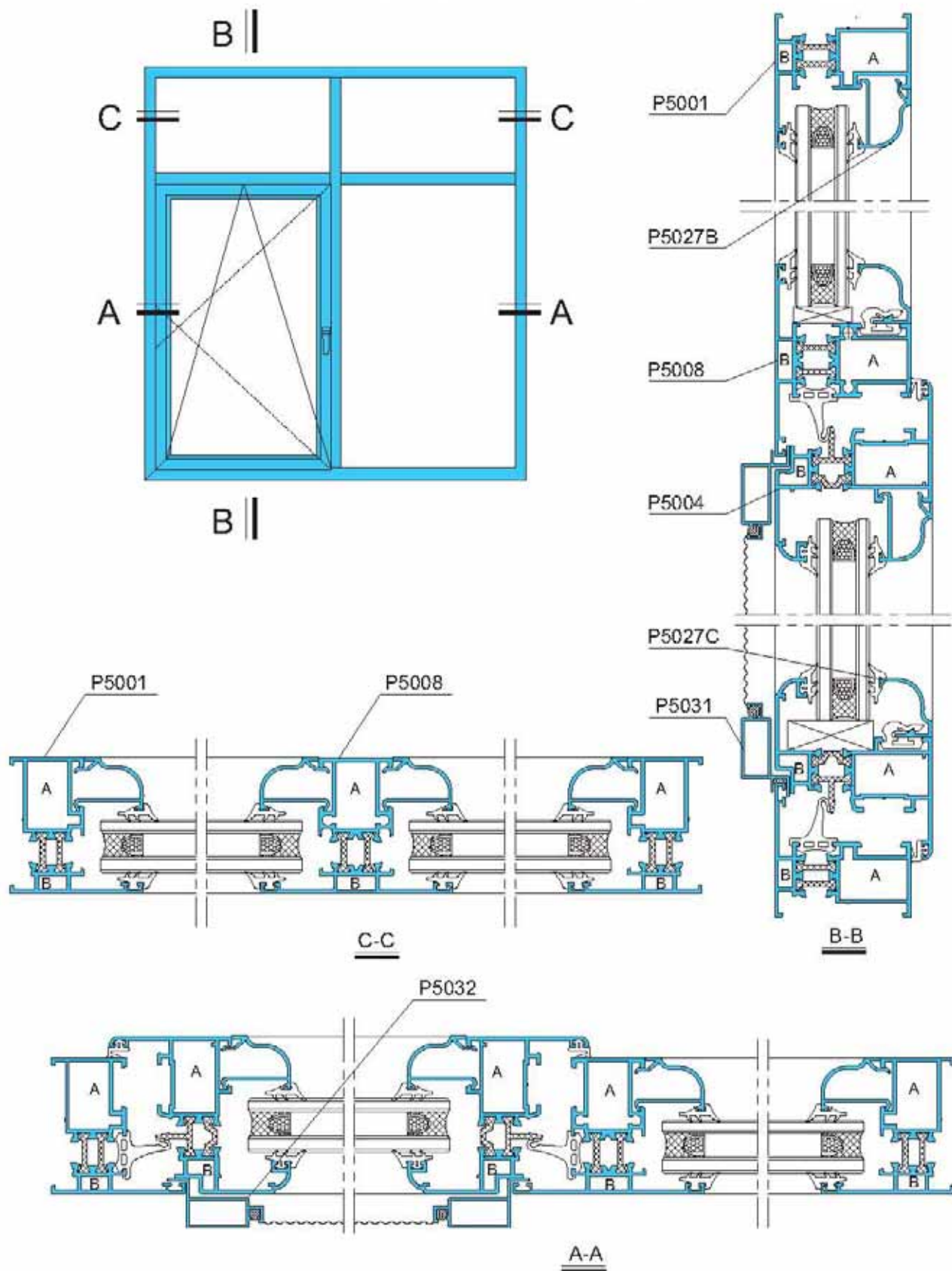
Y50系列隔热外平开窗装配图(带窗反转)
Y50 series thermal barrier outward opening casement window



专利产品，防冒必究

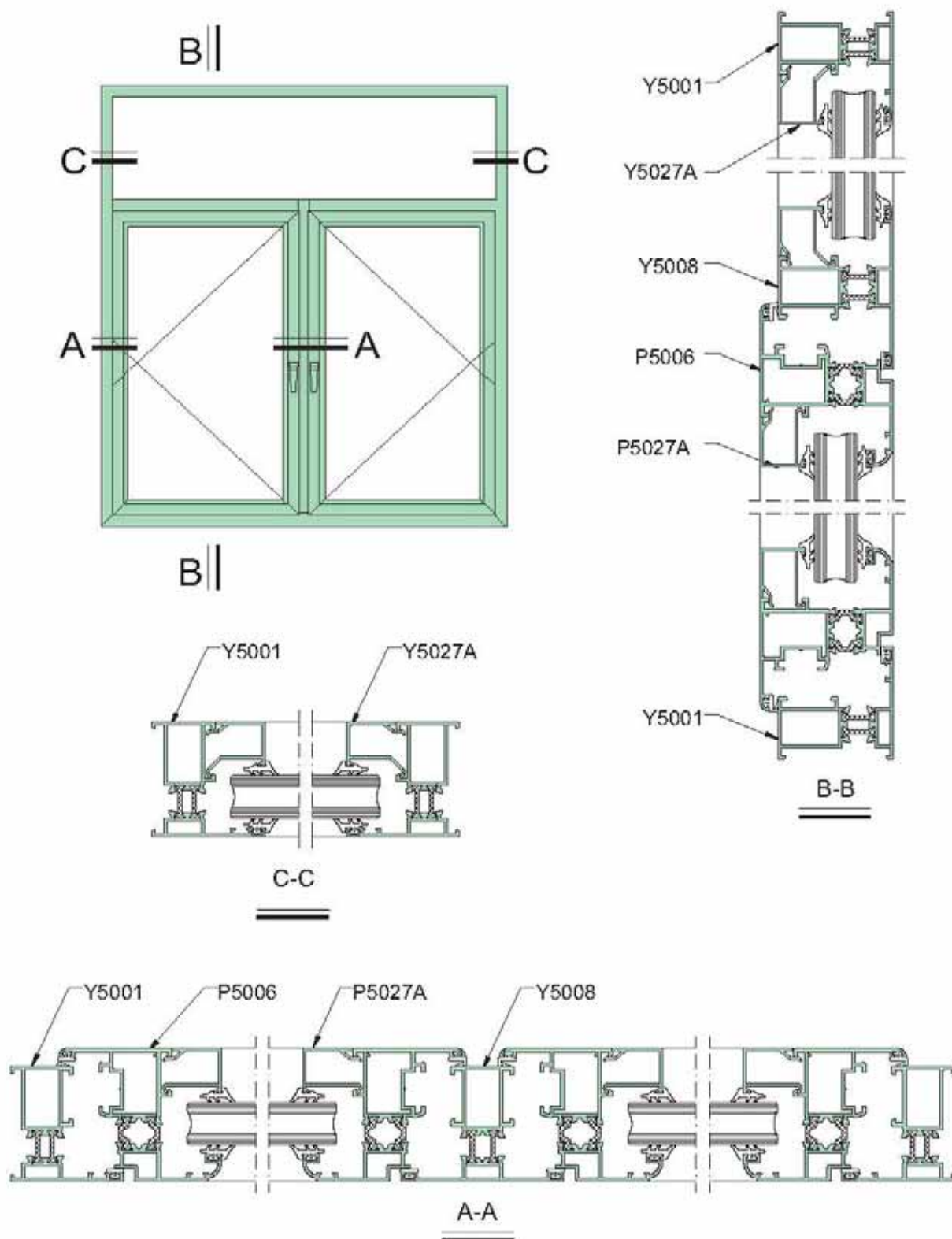
P50隔热节能环保型内开内倒窗装配图（壁厚1.4mm）

P50 series thermal barrier inward tilt & turn opening casement window (with outside screen) (wall thickness 1.4mm)



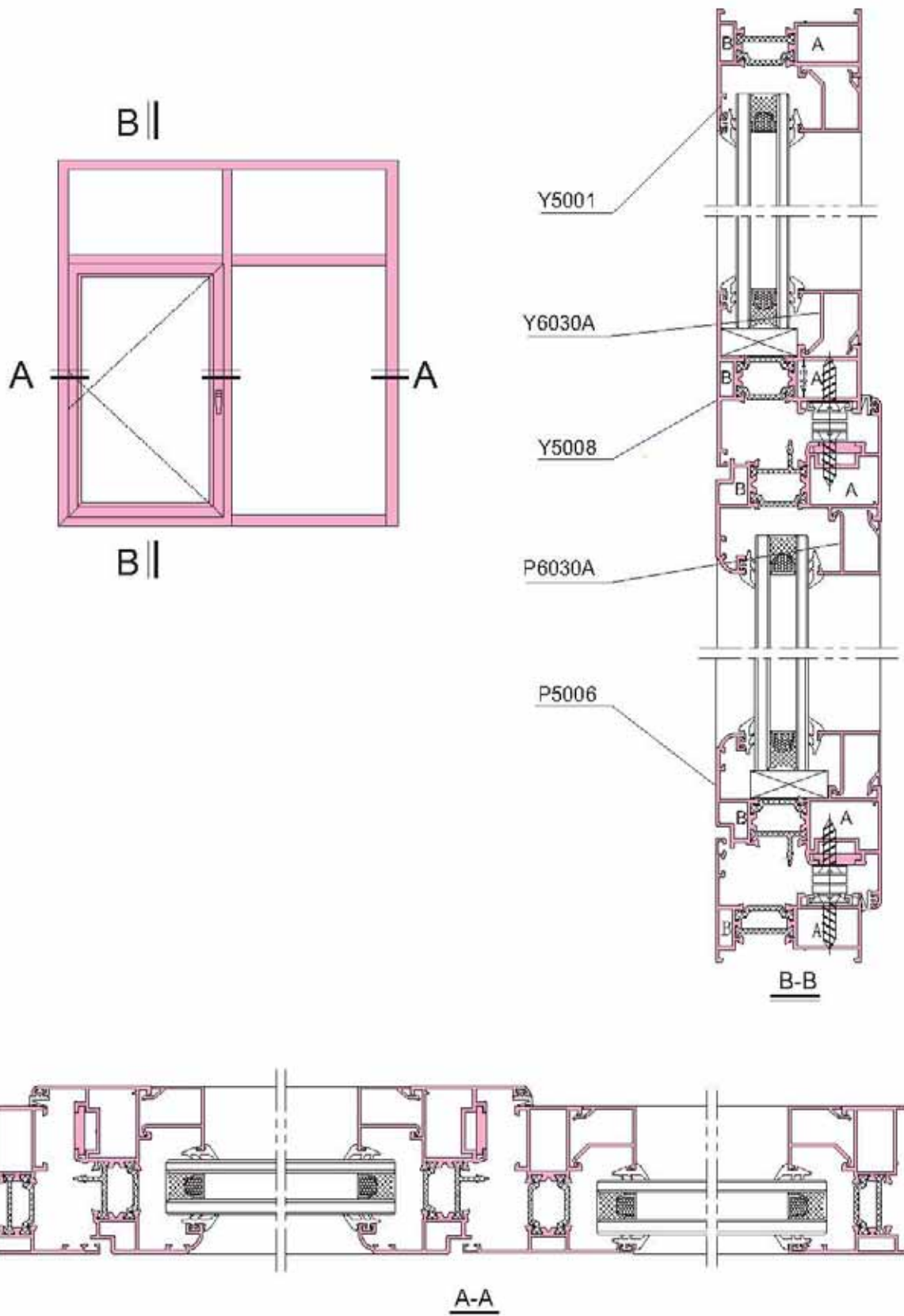
Y50系列隔热外平开窗装配图(不带反转件)

Y50 series thermal barrier outward opening casement window



Y60系列隔热外开窗装配图

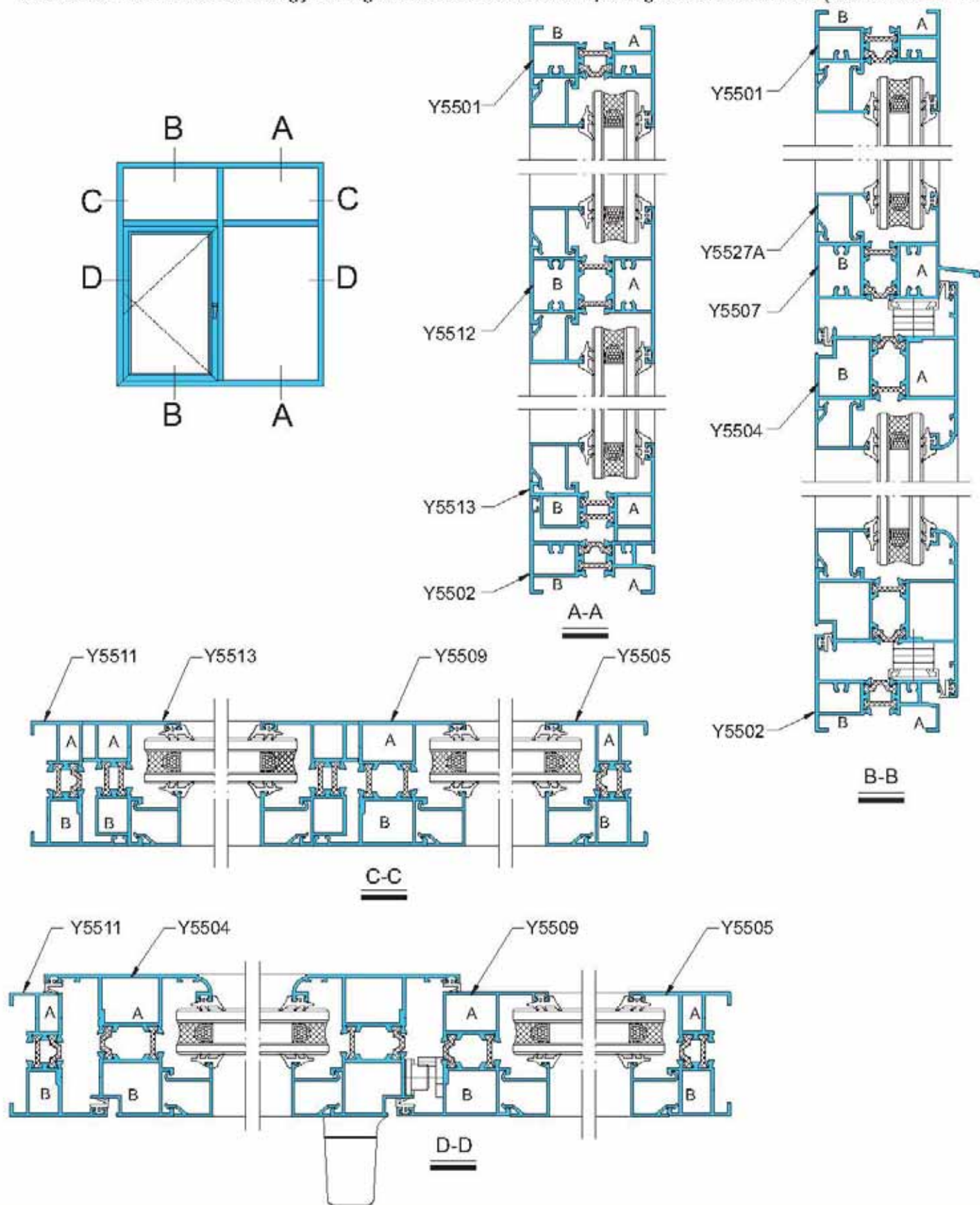
Y60 series thermal barrier outward opening casement window



专利产品，防冒必究

Y55系列隔热节能环保型外开窗装配图（壁厚1.4mm）

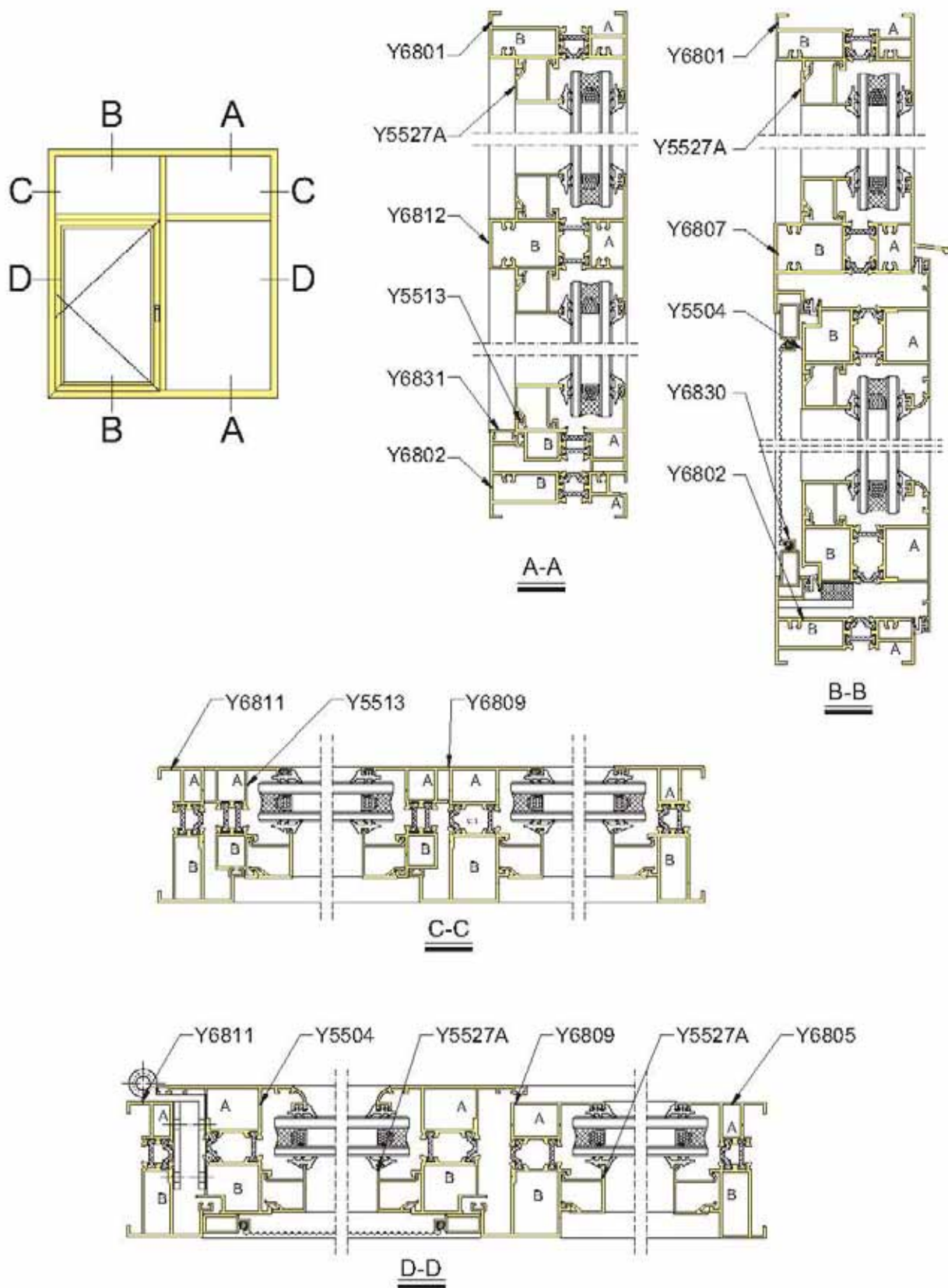
Y55 series thermal barrier energy-saving environmental outward opening casement window (wall thickness 1.4mm)



專利產品，防冒必究

Y68系列隔熱節能環保型外開窗裝配圖 (帶內紗 壁厚1.4mm)

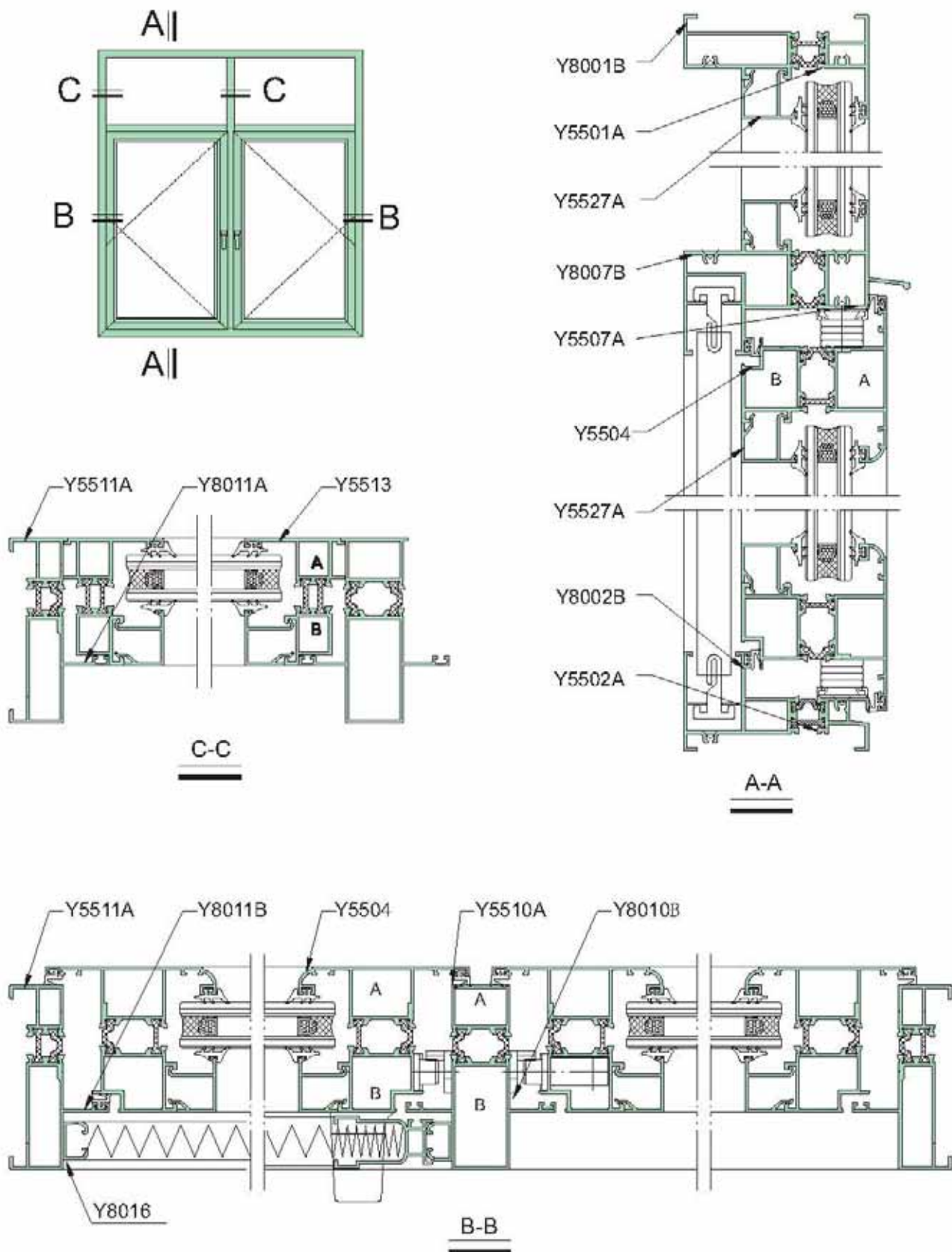
Y68 series thermal barrier energy-saving environmental outward opening casement window (with inner screen wall thickness 1.4mm)



专利产品，防冒必究

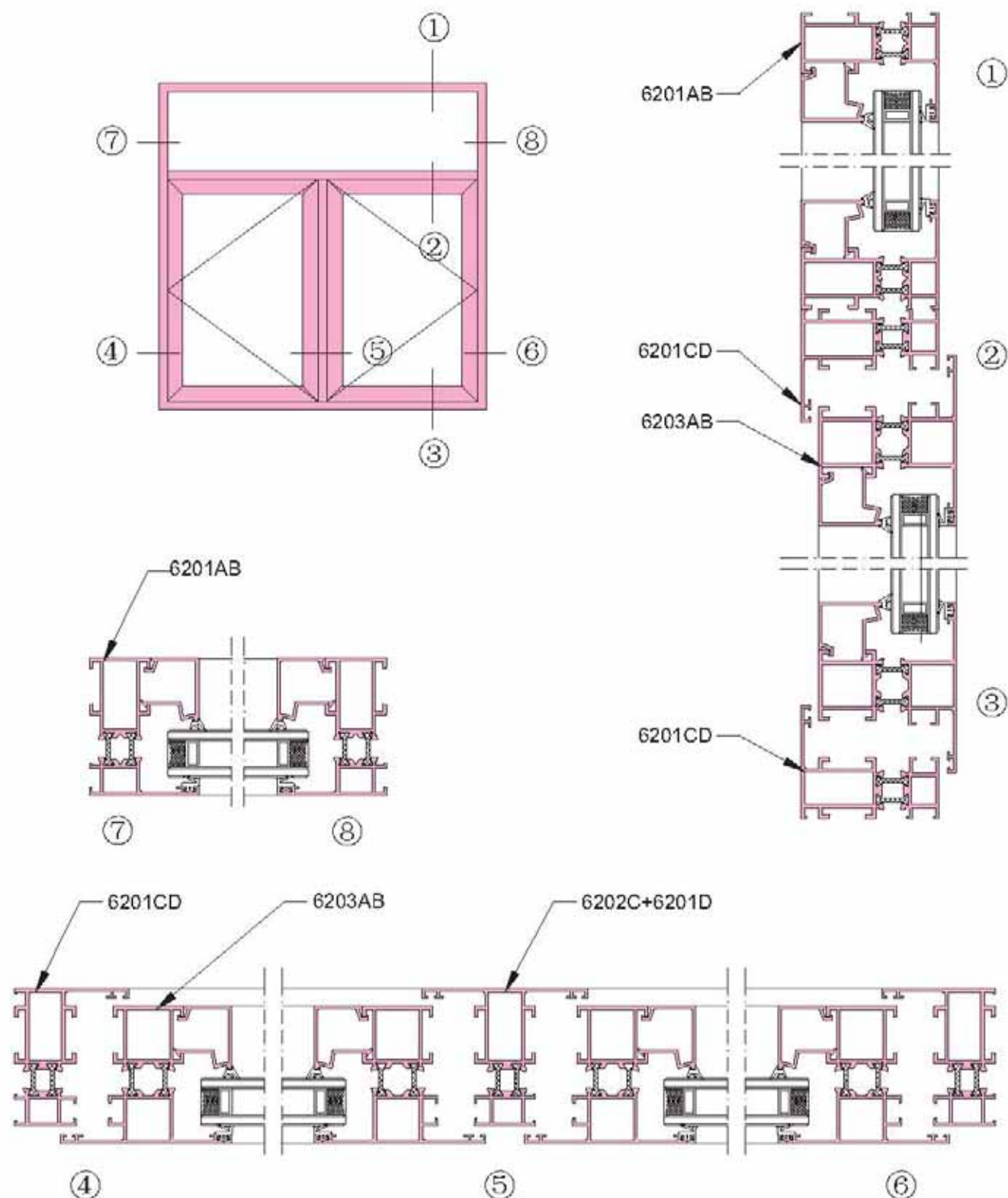
Y80系列隔热节能环保型外开窗装配图（带纱 壁厚1.4mm）

Y80 series thermal barrier energy-saving environmental outward opening casement window (with screen, wall thickness 1.4mm)



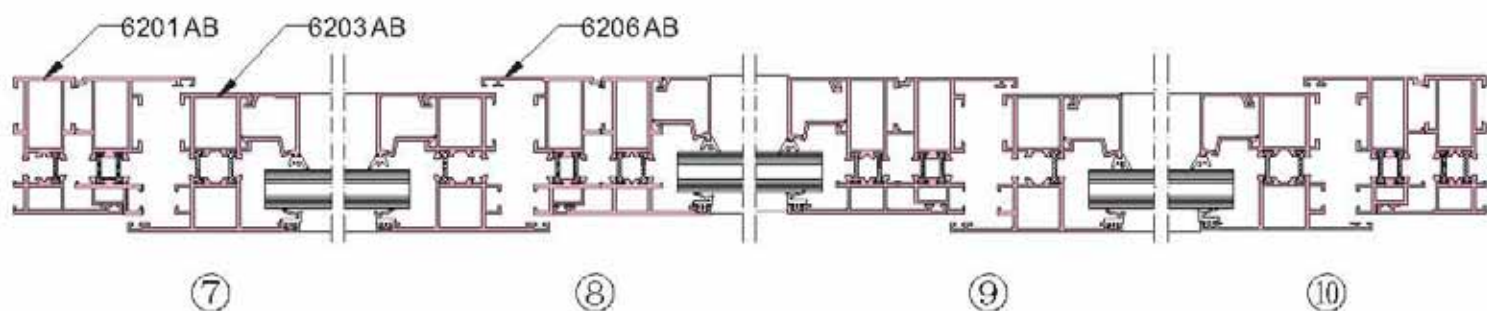
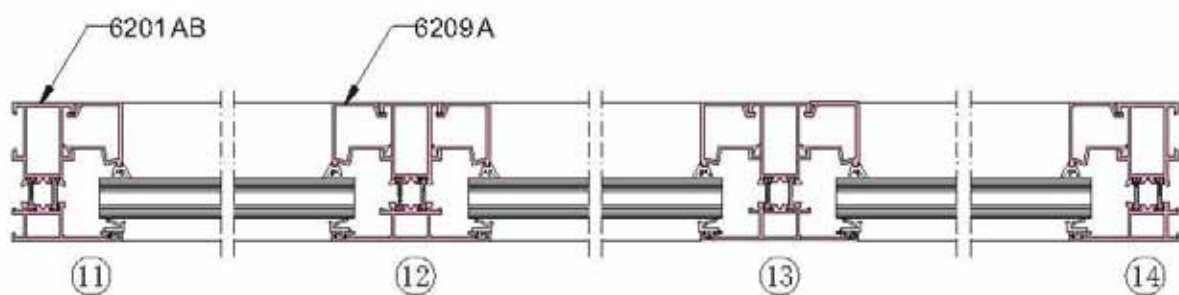
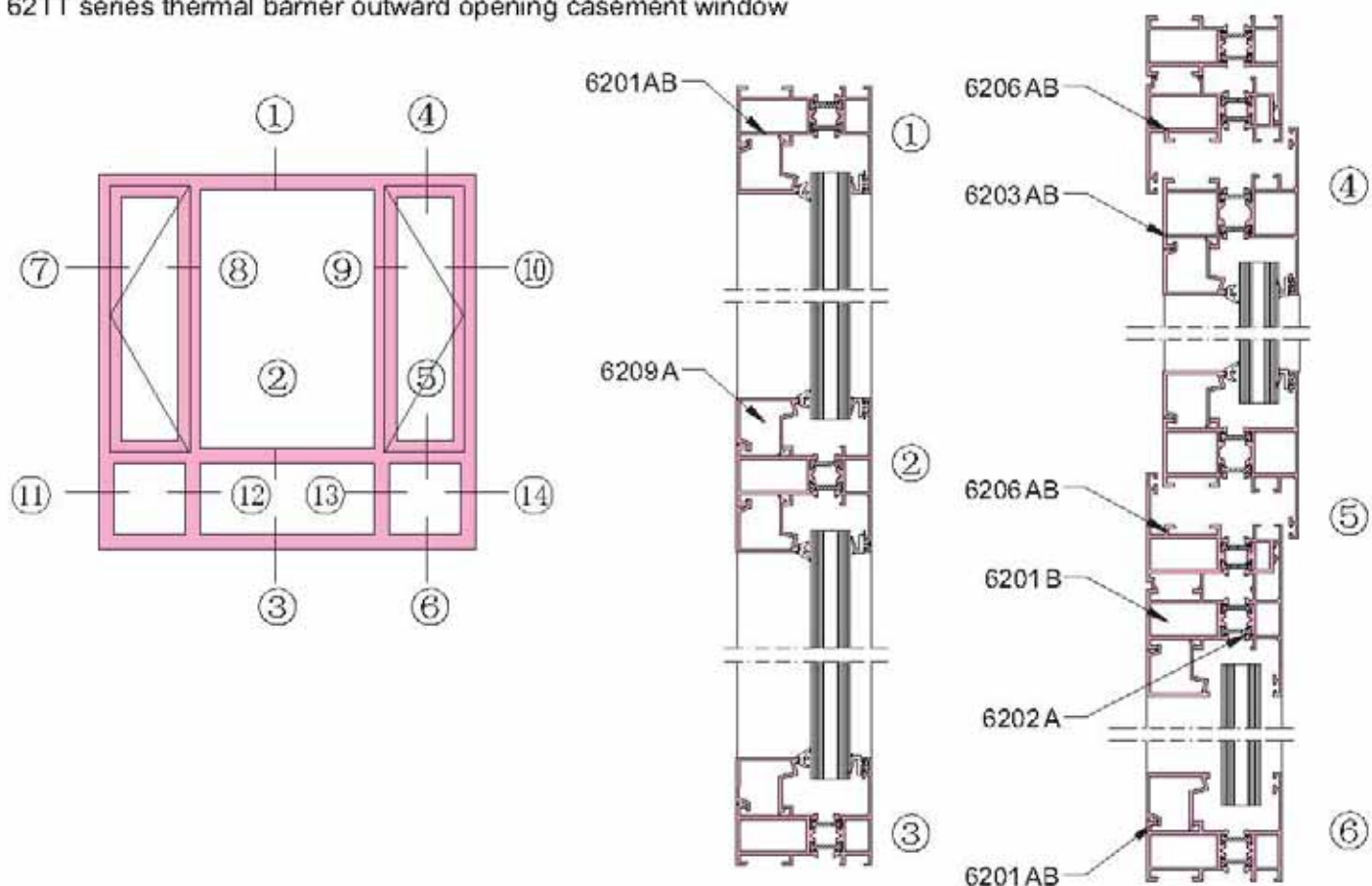
62TT系列隔热外开窗装配图

62TT series thermal barrier outward opening casement window



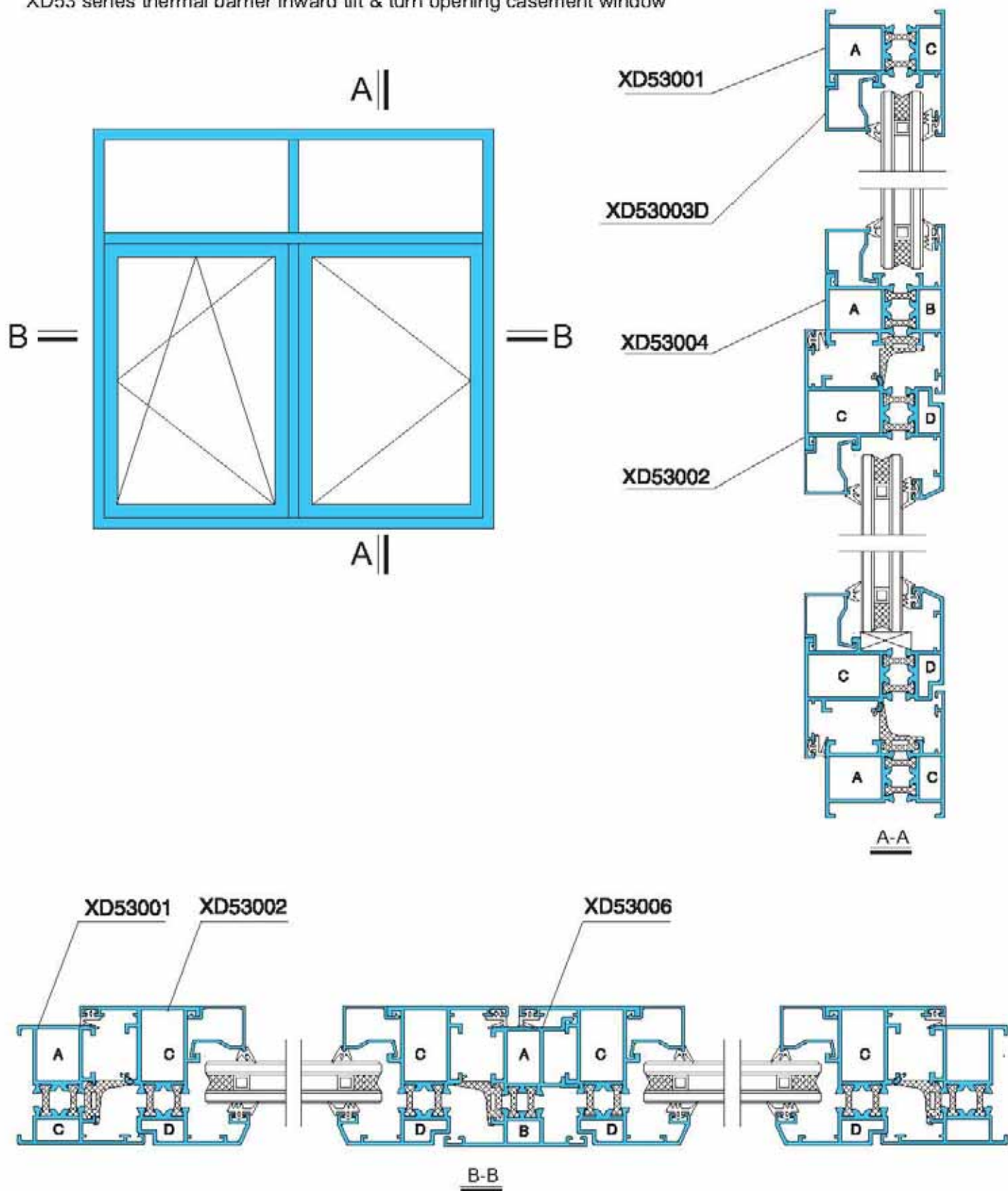
62TT系列隔热外开装配图(扇带反转)

62TT series thermal barrier outward opening casement window



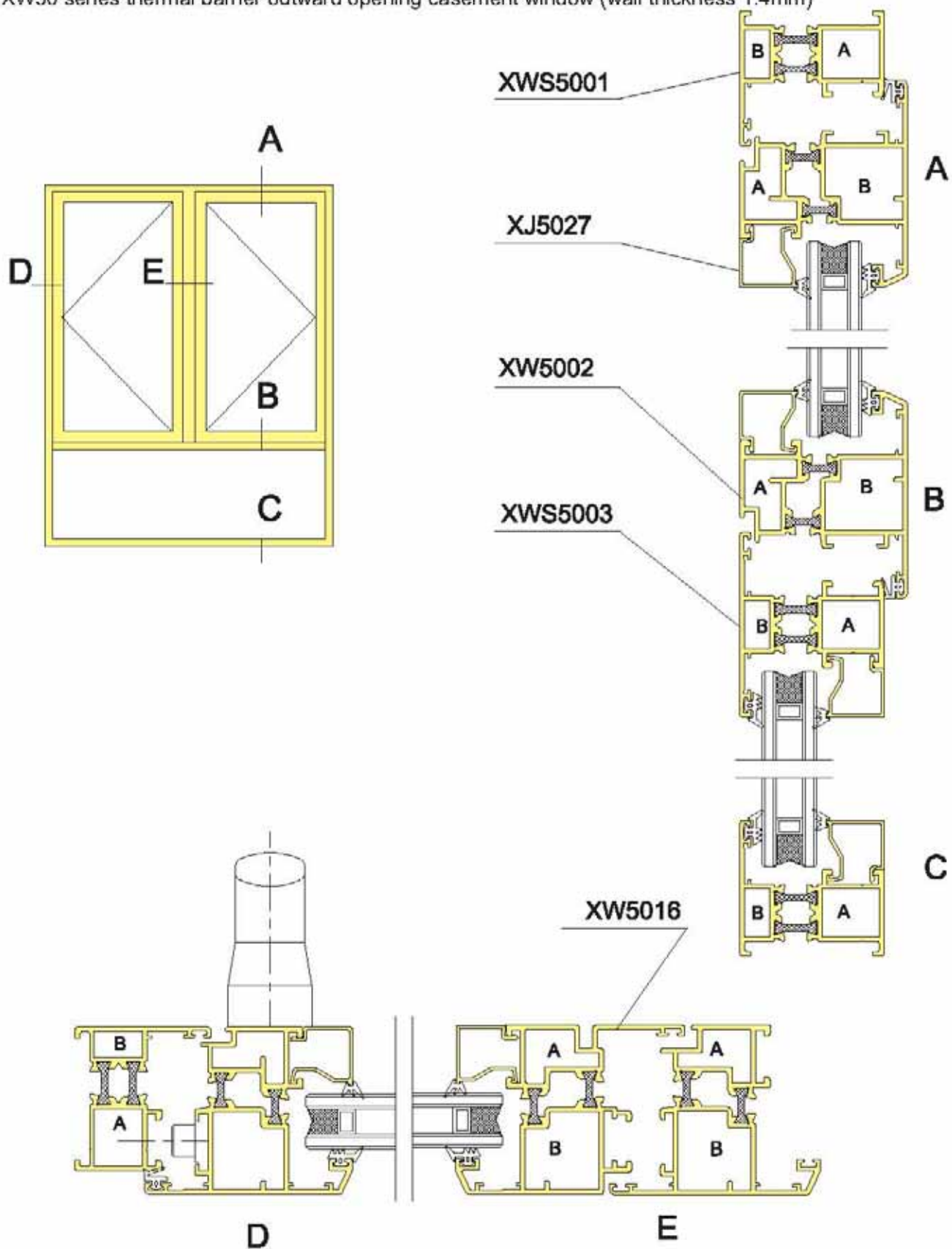
XD53系列断桥内开内倒窗装配图（铝合金槽金口）

XD53 series thermal barrier inward tilt & turn opening casement window



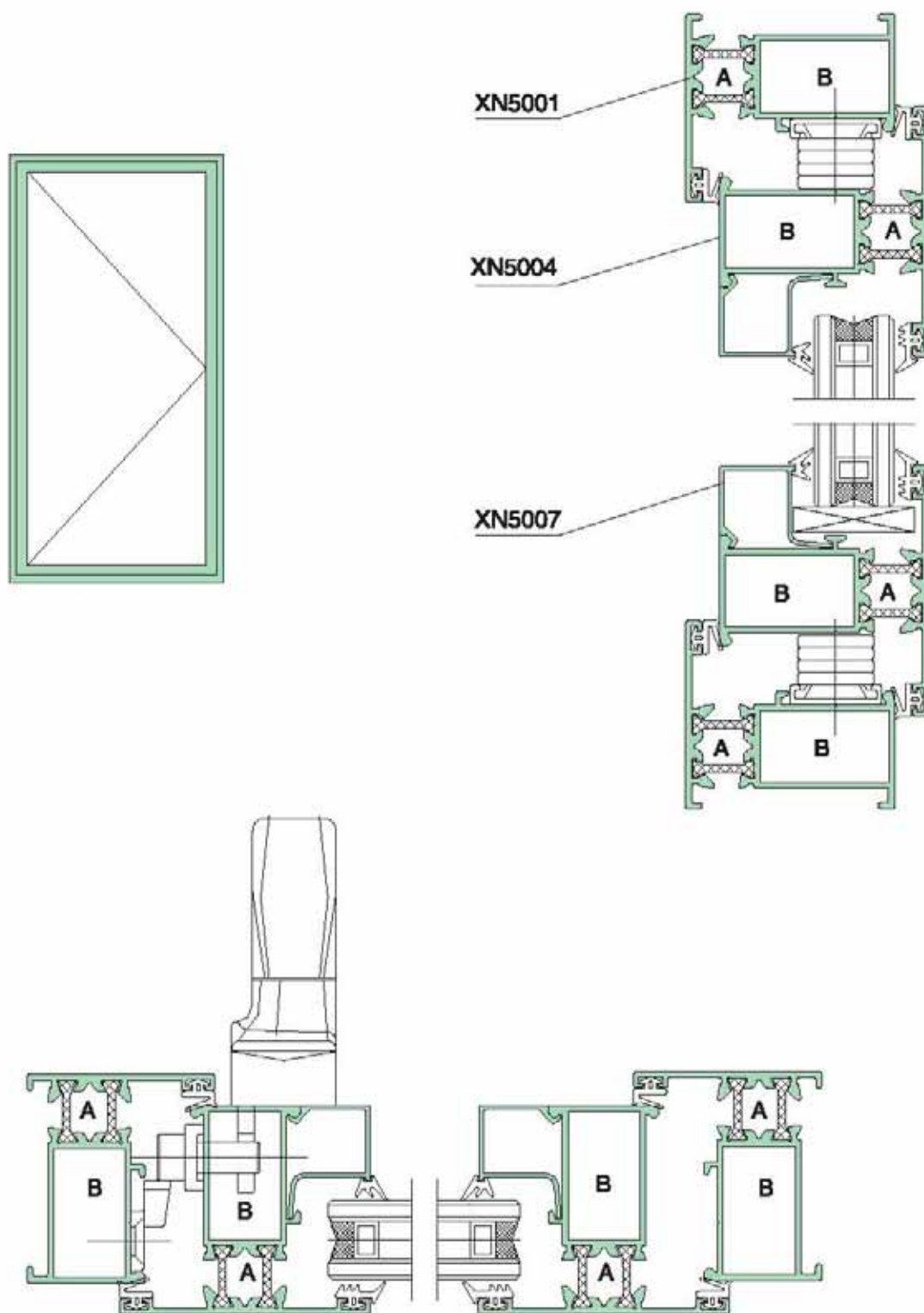
XW50系列隔热外平开窗装配图(壁厚1.4mm)

XW50 series thermal barrier outward opening casement window (wall thickness 1.4mm)

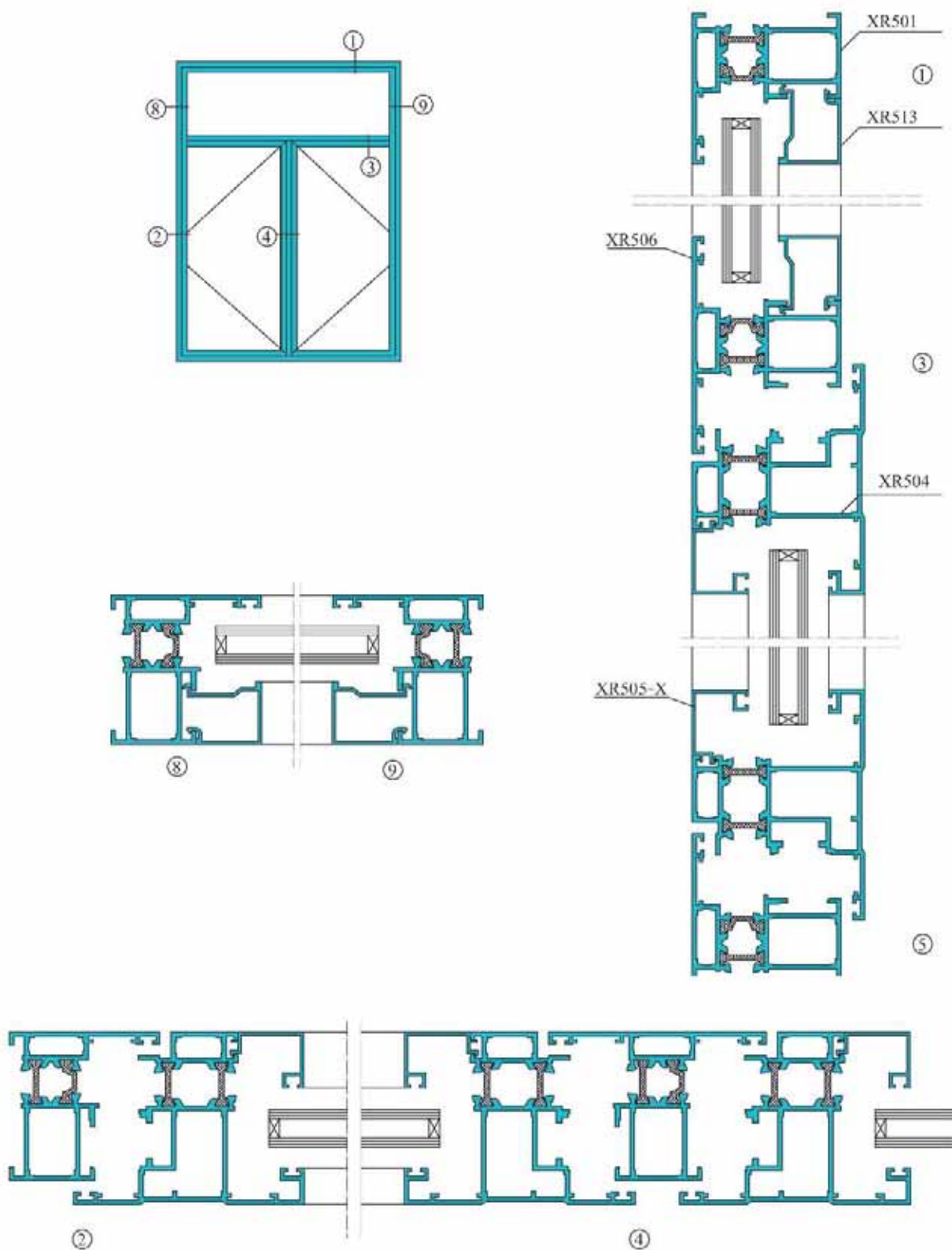


XN50系列隔热外开窗装配图(壁厚1.4mm)

XW50 series thermal barrier outward opening casement window (wall thickness 1.4mm)

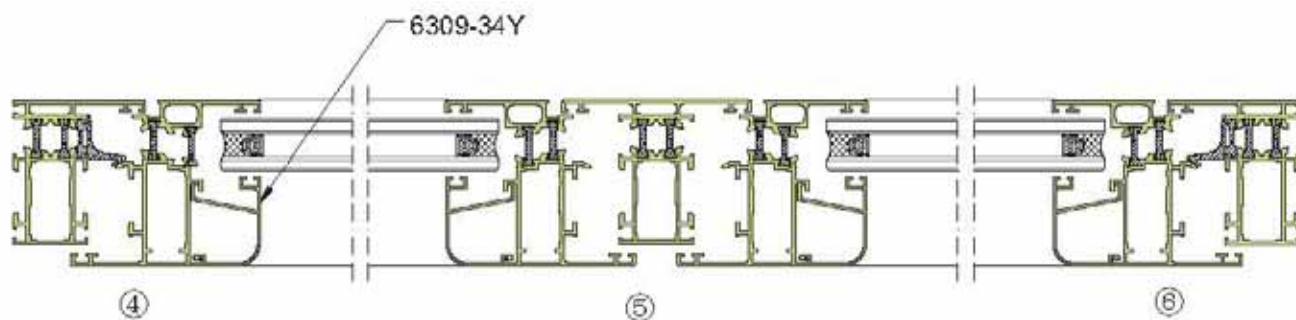
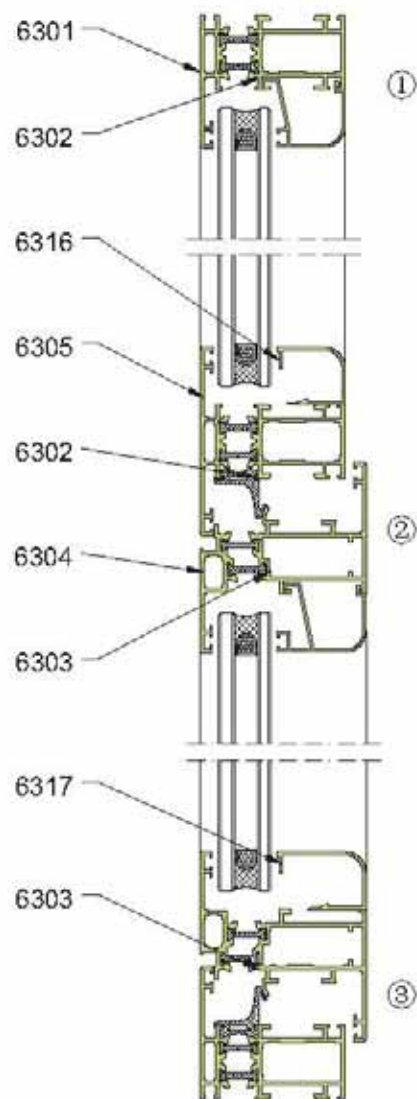
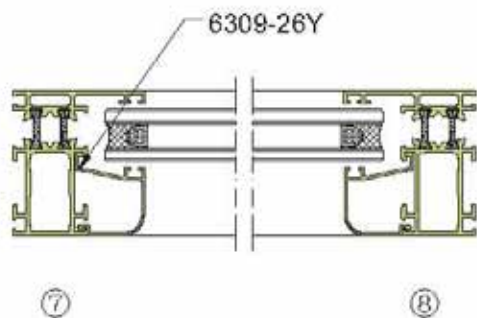
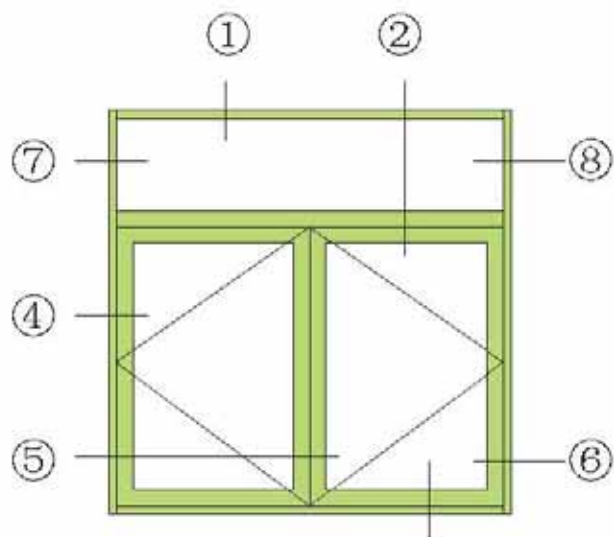


XR50 系列隔热平开窗型材装配图
XR50 series thermal barrier casement window



XJ63TT 系列隔热内开内倒窗装配图

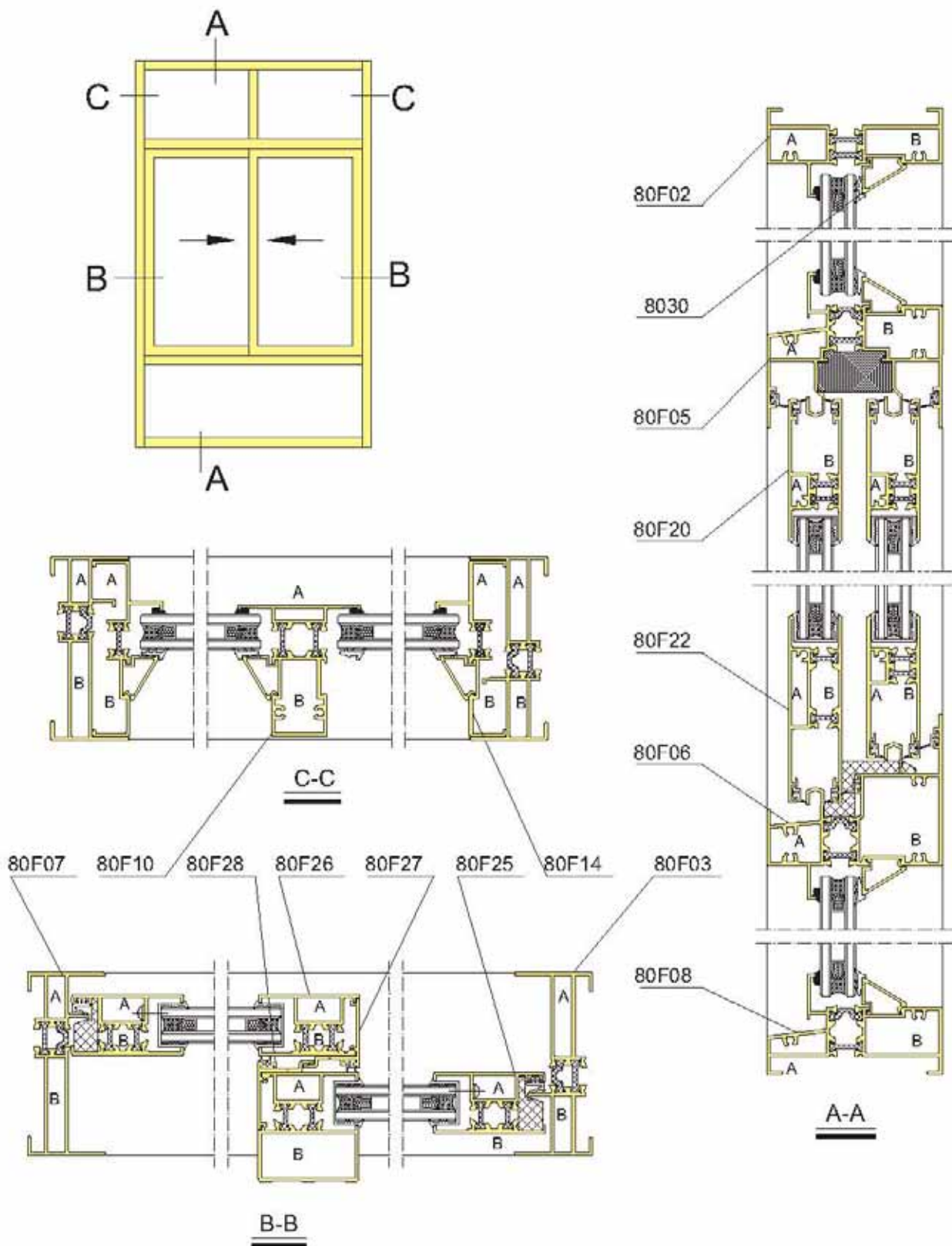
XJ63TT series thermal barrier inward tilt & turn opening casement window



专利产品，防冒必究

80F88系列隔热节能环保型推拉窗装配图 (5+6A+5 壁厚1.4mm)

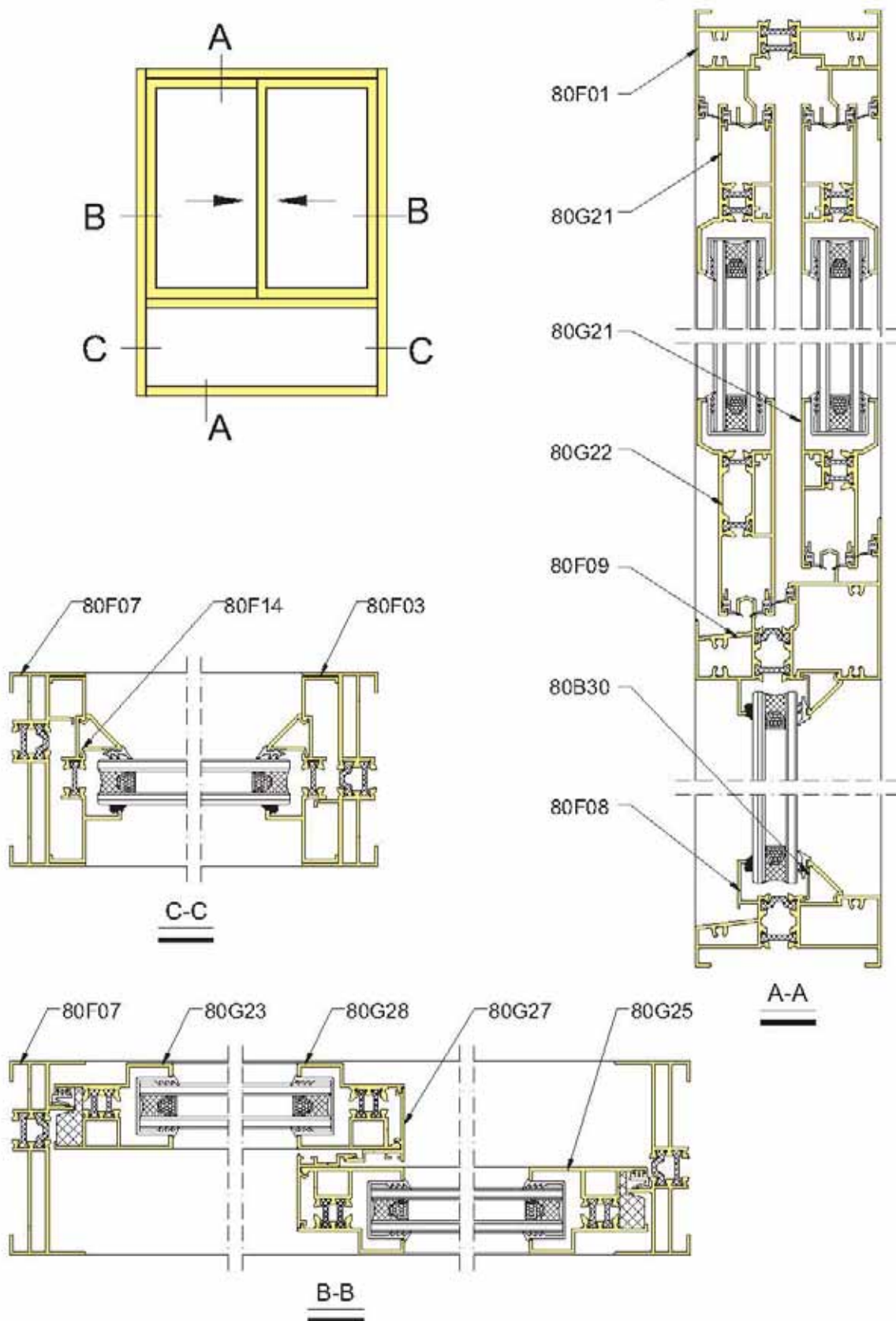
80F88 series thermal barrier energy-saving environmental sliding window (Glass:5+6A+5,wall thickness 1.4mm)



专利产品，防冒必究

80G88系列隔热节能环保型推拉窗装配图 (5 + 9A + 5 壁厚1.4mm)

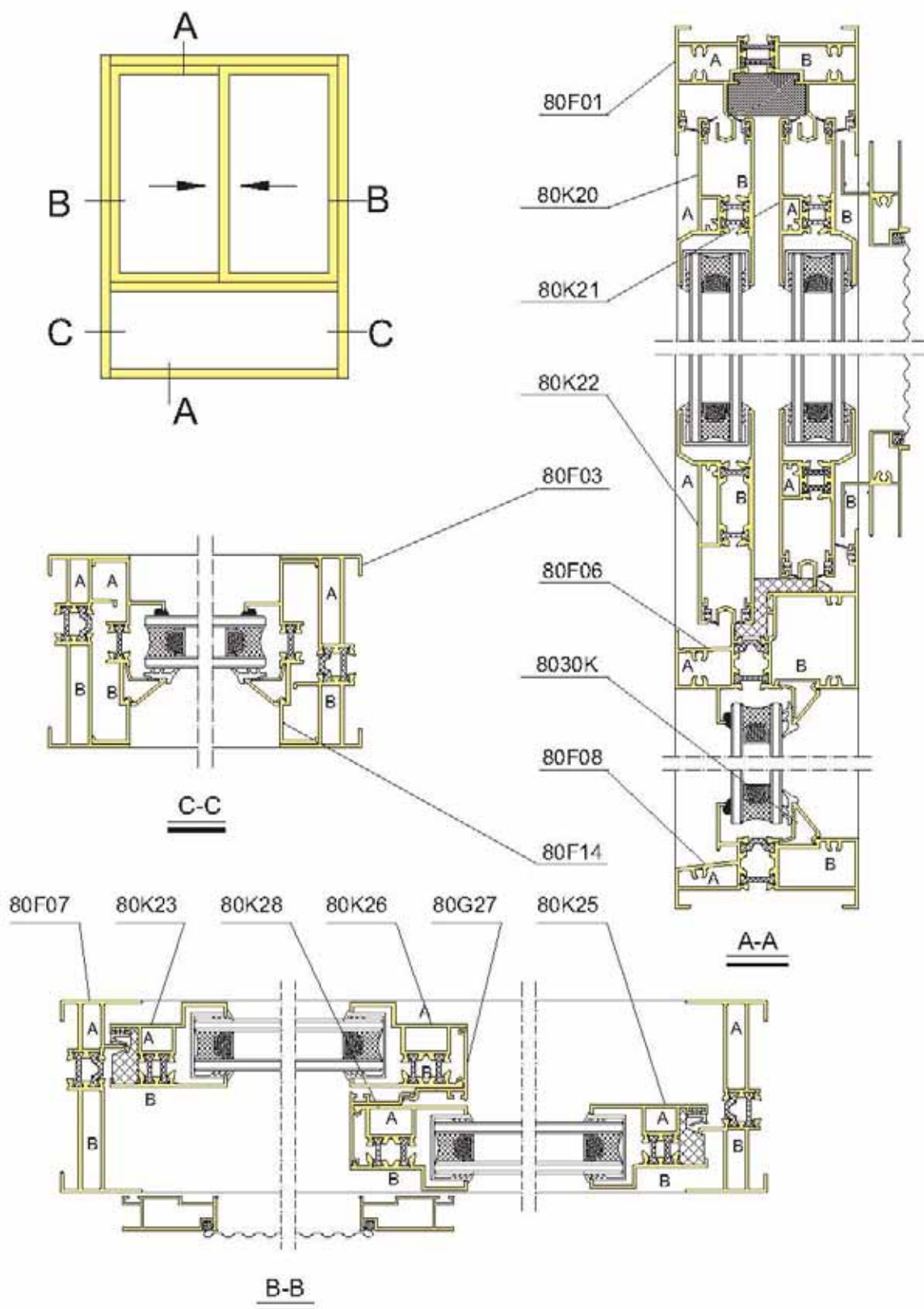
80G88 series thermal barrier energy-saving environmental sliding window (Glass:5+9A+5,wall thickness 1.4mm)



专利产品，防冒必究

80K88系列隔热节能环保型推拉窗装配图 (5 + 12A + 5 壁厚1.4mm)

80K88 series thermal barrier energy-saving environmental sliding window (Glass:5+12A+5, wall thickness 1.4mm)

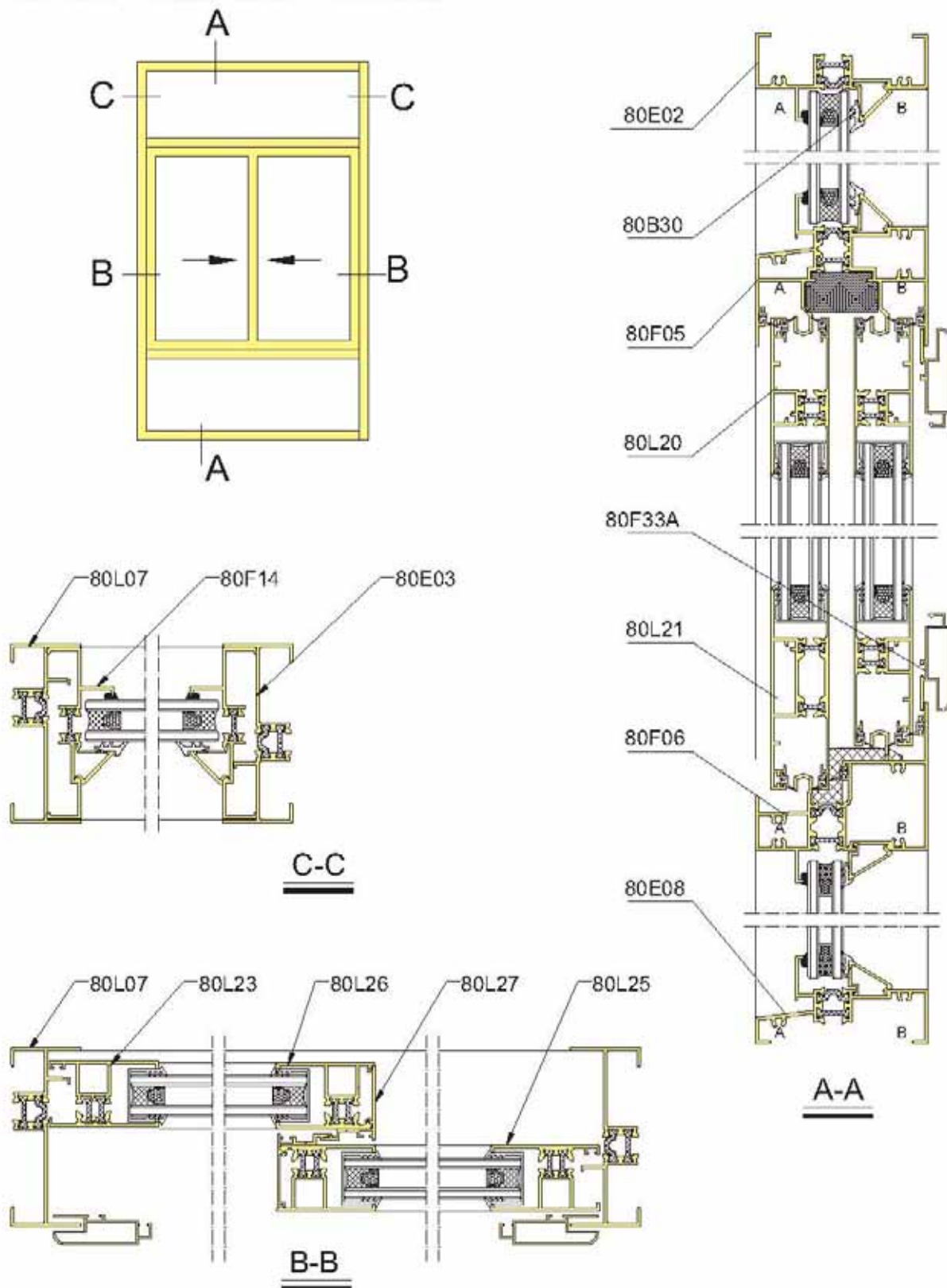


专利产品，防冒必究

80L88系列隔热节能环保型推拉窗装配图 (5+9A+5 壁厚1.4mm)

80L88 series thermal barrier energy-saving environmental sliding window (Glass:5+9A+5,wall thickness 1.4mm)

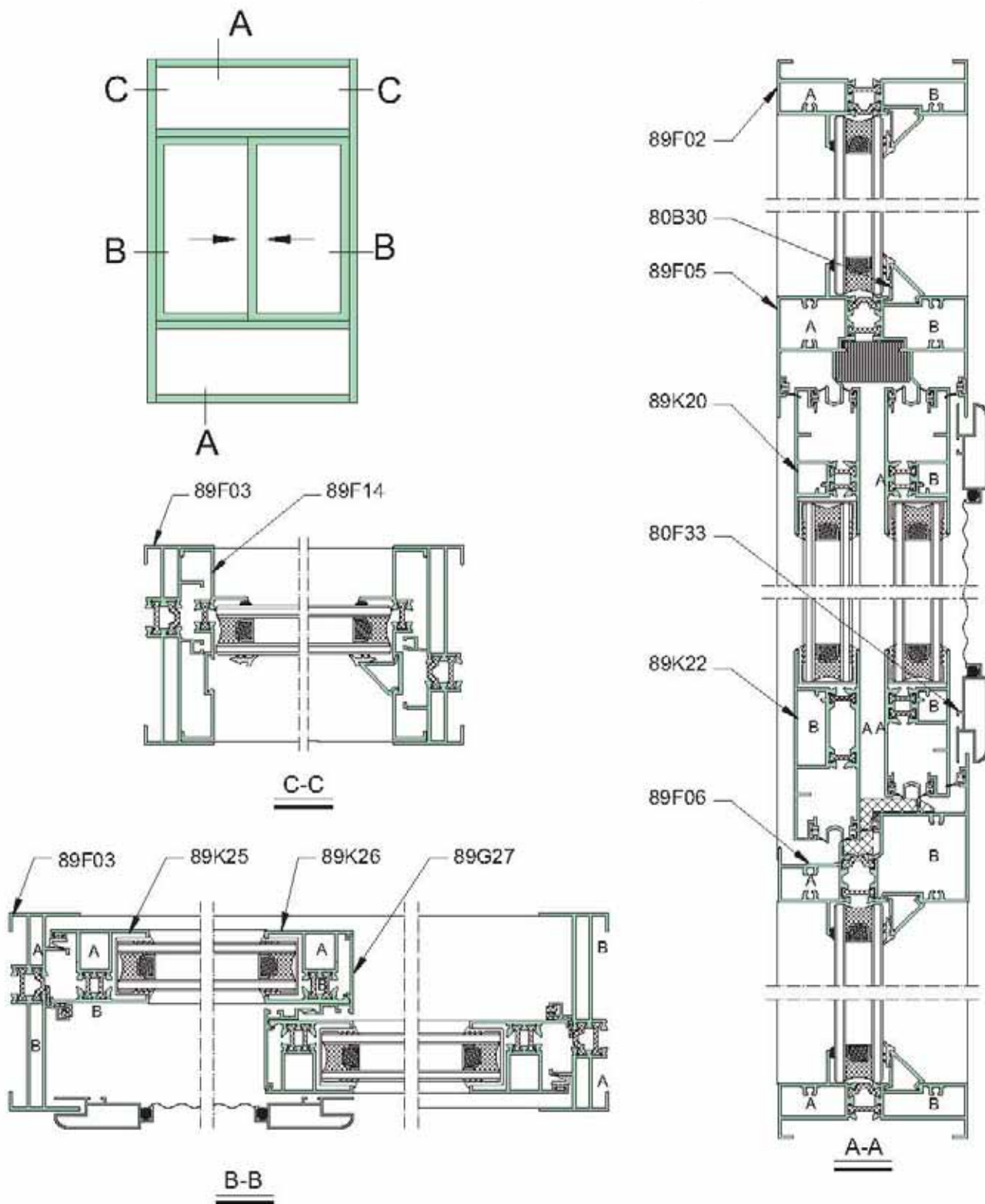
注：扇接口不能与A80配套使用，边框不能与80F88系列配套使用！



专利产品，防冒必究

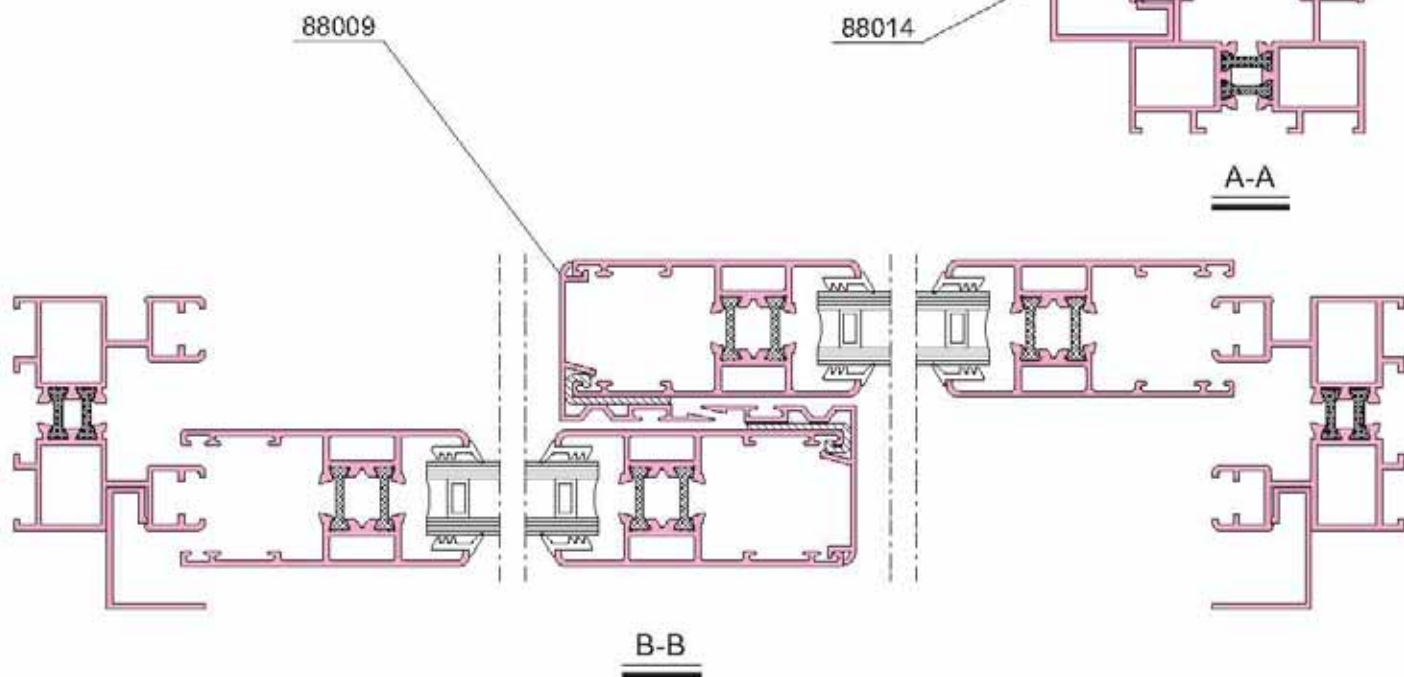
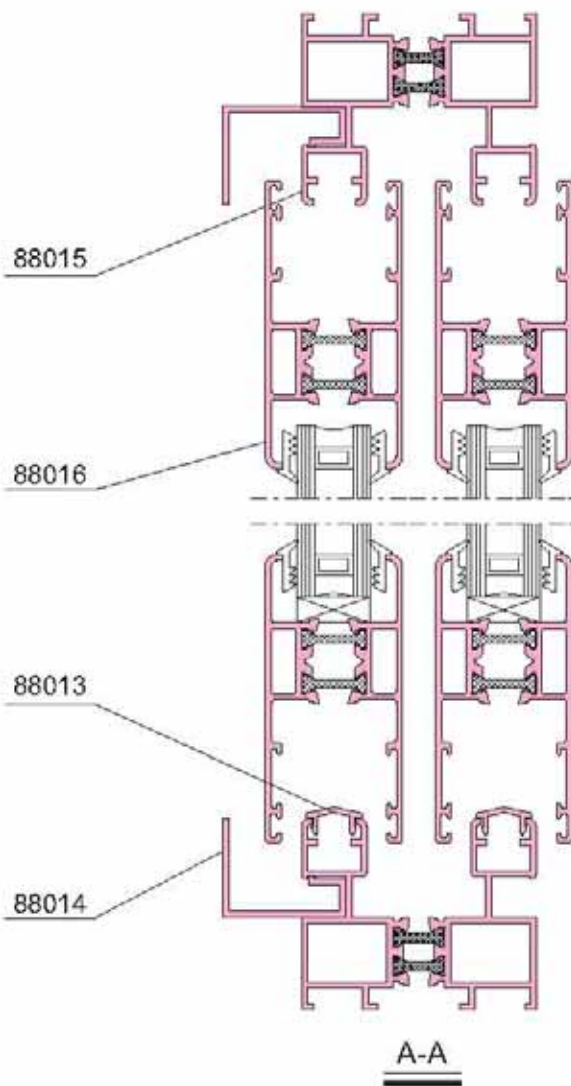
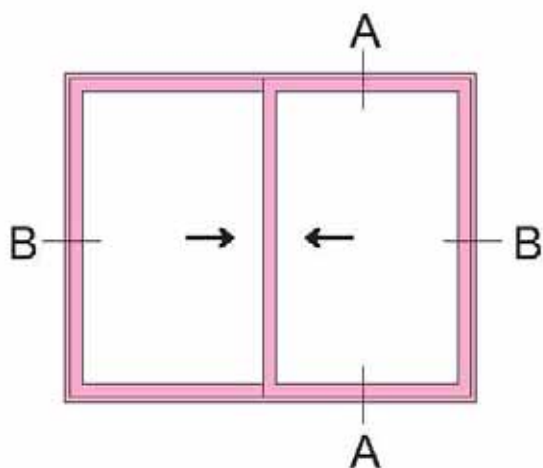
89F系列隔热节能环保型推拉窗装配图 (5+12A+5 壁厚1.4mm)

89F series thermal barrier energy-saving environmental sliding window (Glass:5+12A+5, wall thickness 1.4mm)



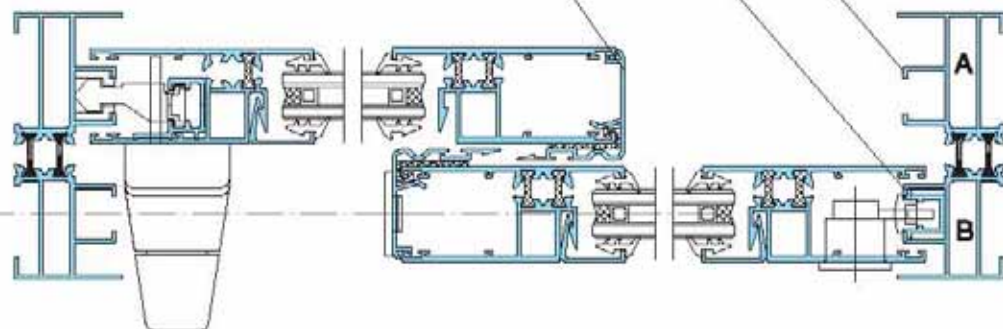
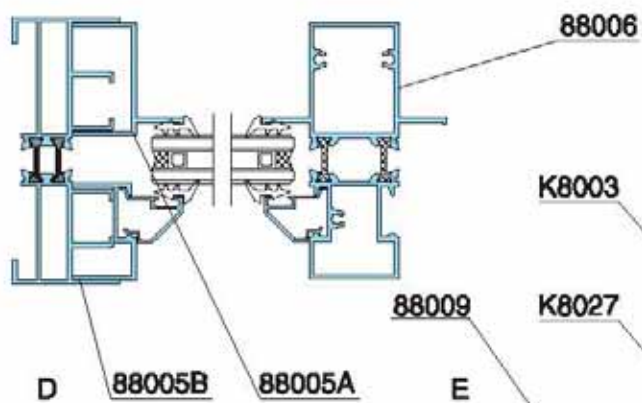
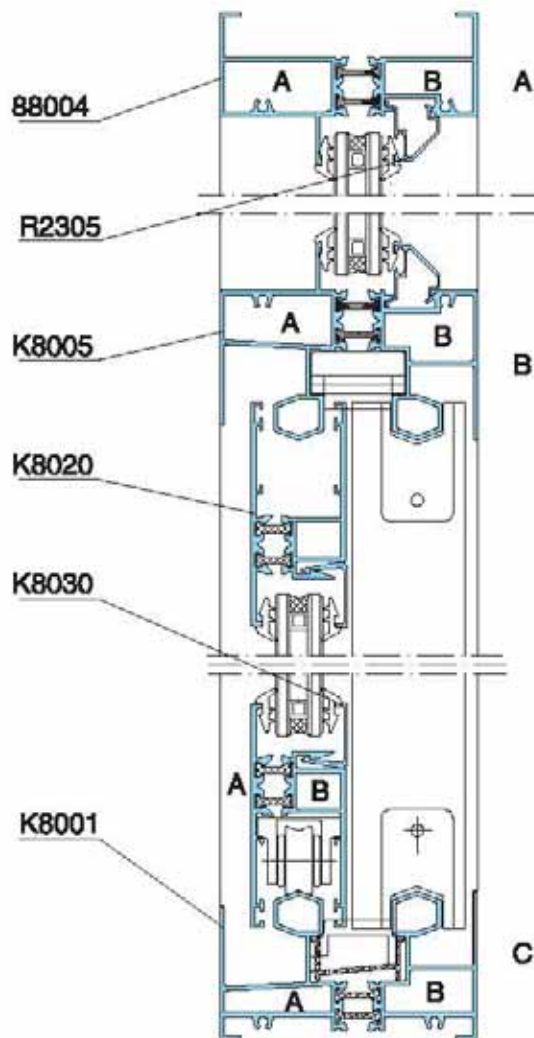
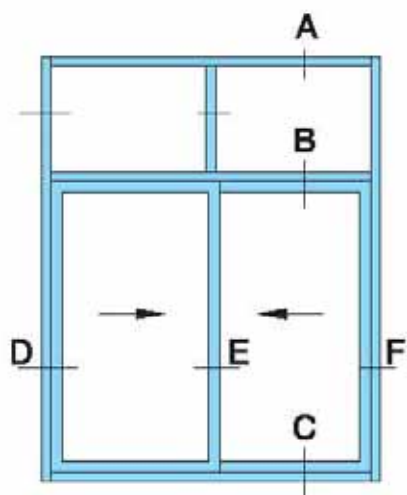
70TT系列隔热推拉窗装配图

70TT series thermal barrier sliding window



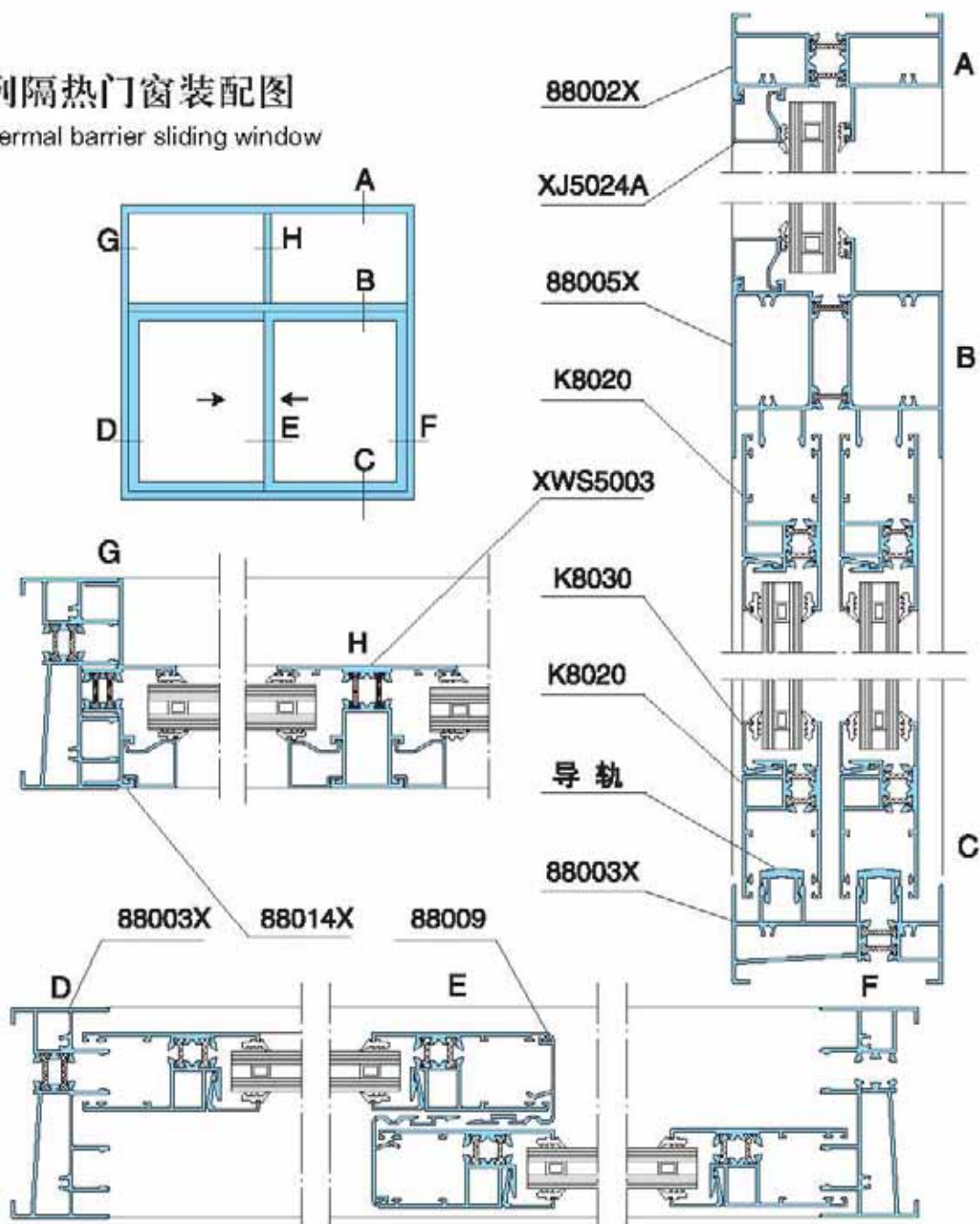
80TT系列隔热节能环保型推拉窗装配图

80TT thermal barrier energy-saving environmental sliding window



80TTX系列隔热门窗装配图

80TTX series thermal barrier sliding window



80TTX系列隔热门窗截面图

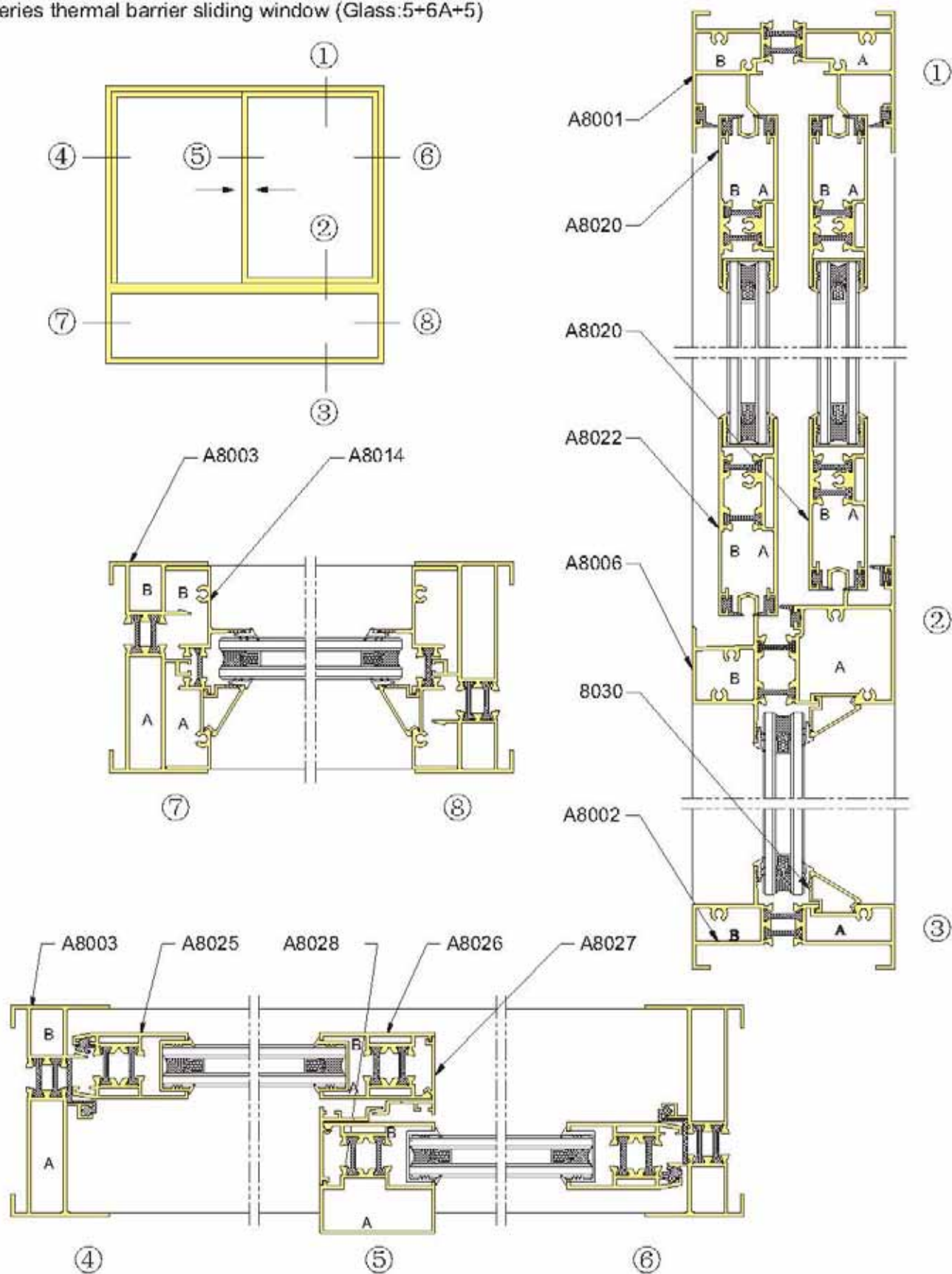
80TTX series thermal barrier sliding window

序号 Item	代号 名称 Code Name	图 形 Drawing	米重 Weight (kg/m)
1	88002-X 上固定		1.45
2	88005-X 上固下推		2.22

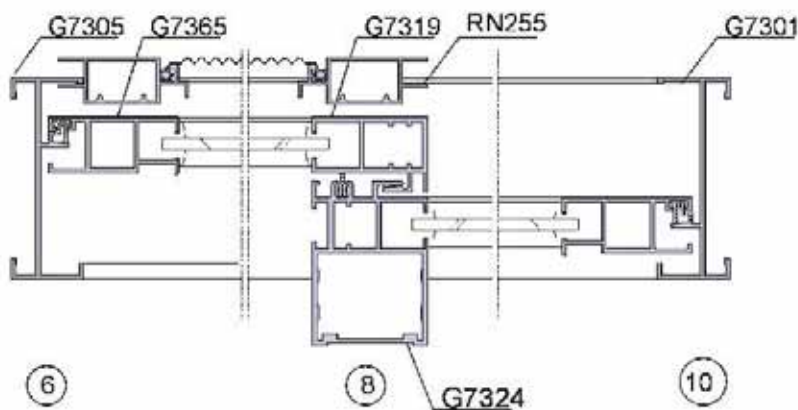
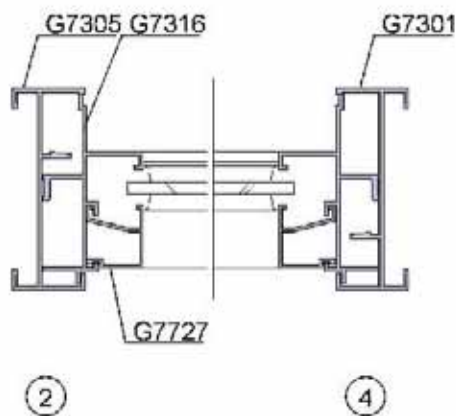
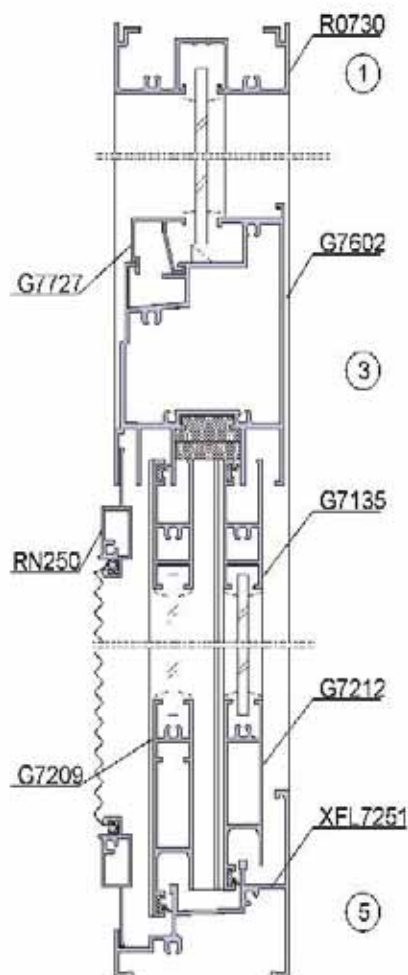
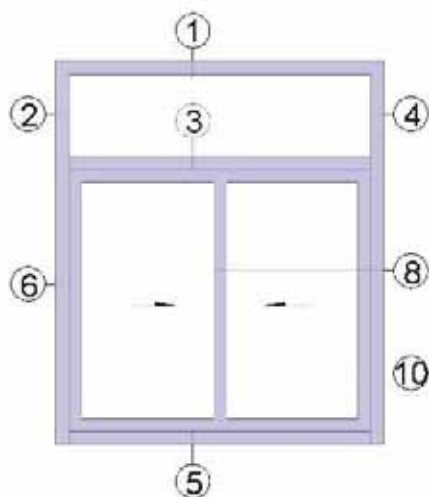
序号 Item	代号 名称 Code Name	图 形 Drawing	米重 Weight (kg/m)
3	88003-X 外框		1.5
4	88014-X 盖板		0.88

A80系列隔热推拉窗装配图

A80 series thermal barrier sliding window (Glass:5+6A+5)

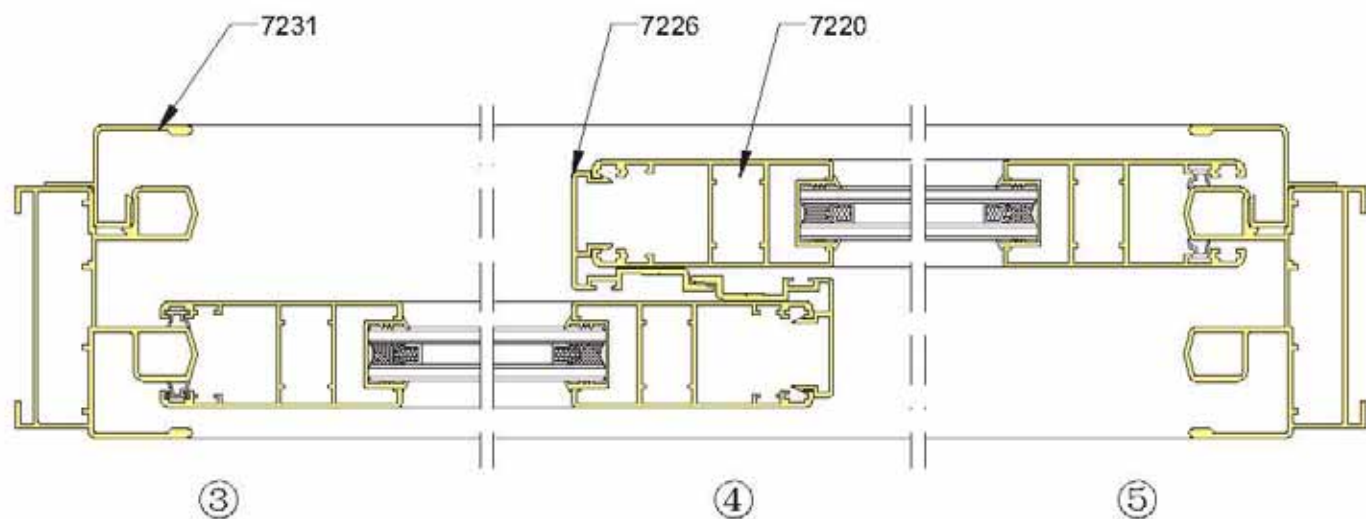
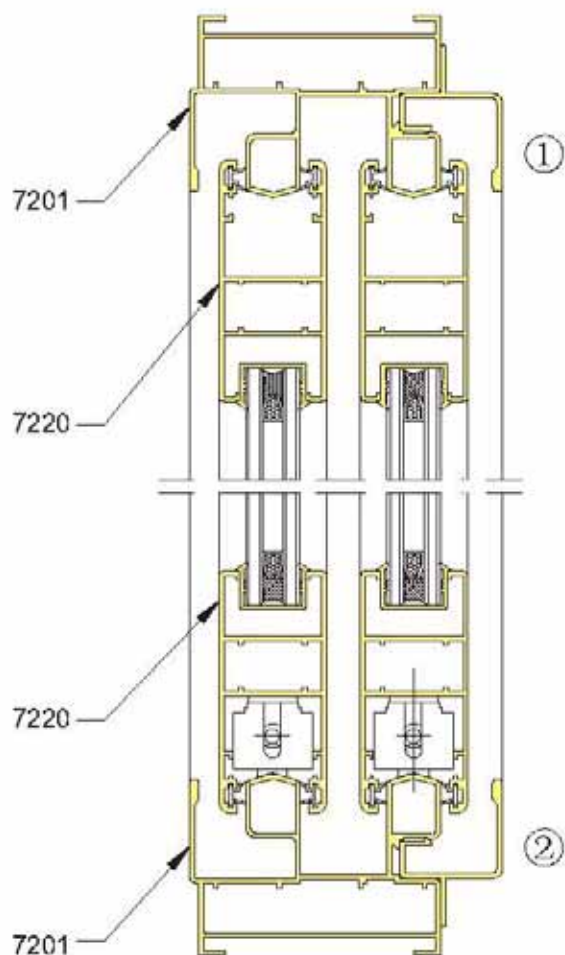
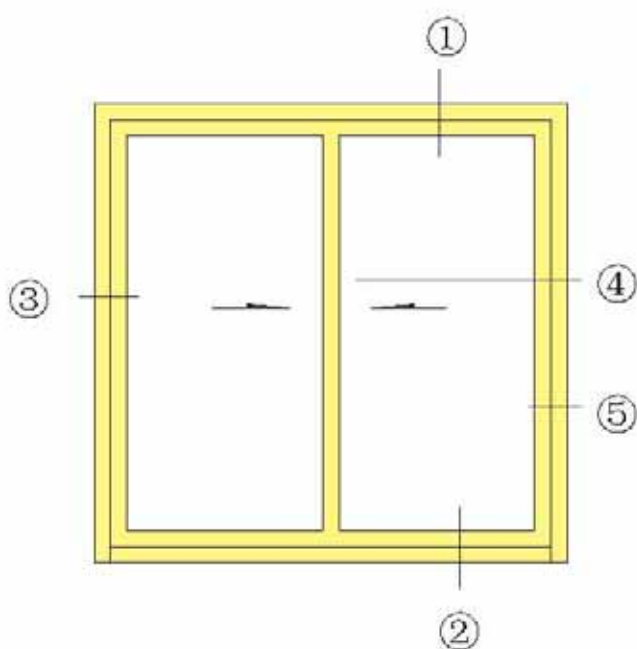


XJ 不二 70 气密推拉门、窗型材装配图
XJ70 series airtight sliding window, door



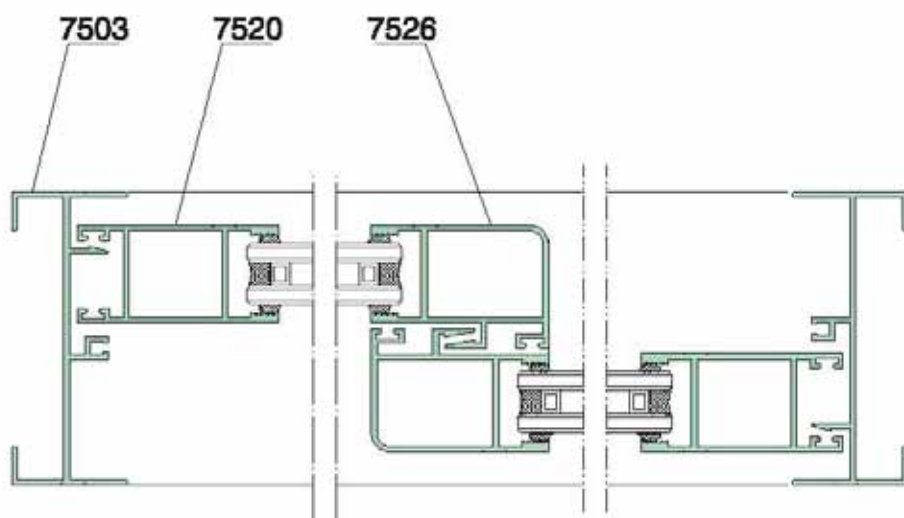
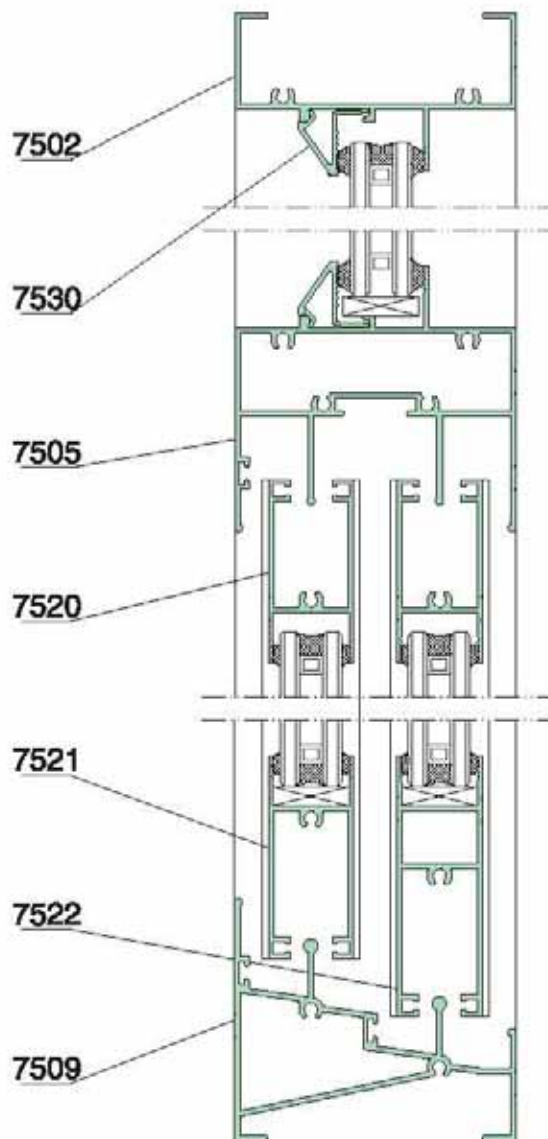
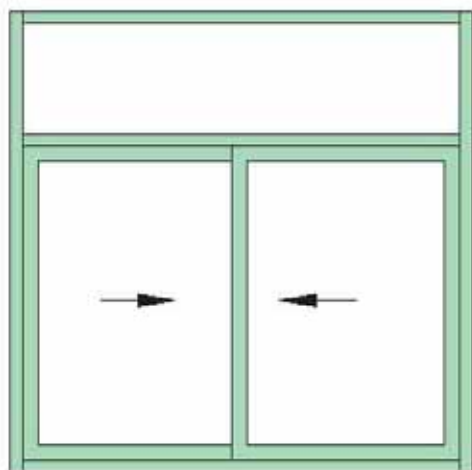
728系列推拉窗装配图

728 series sliding window

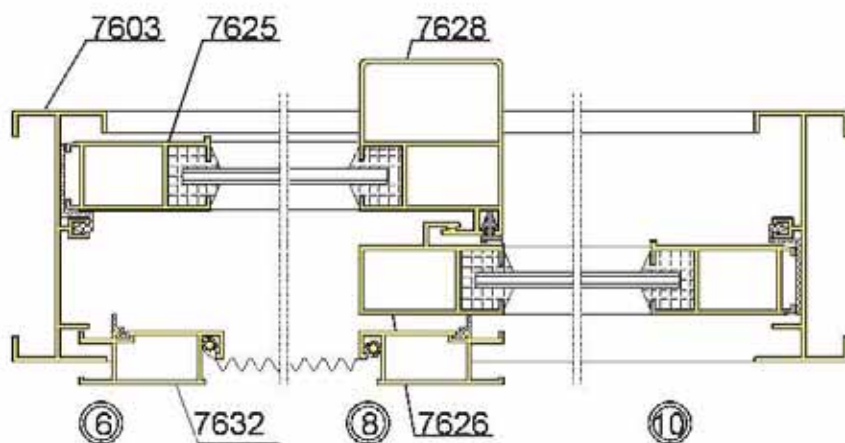
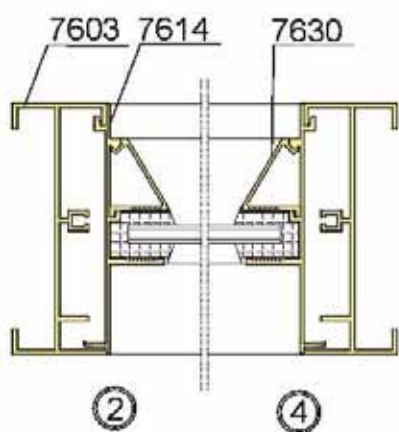
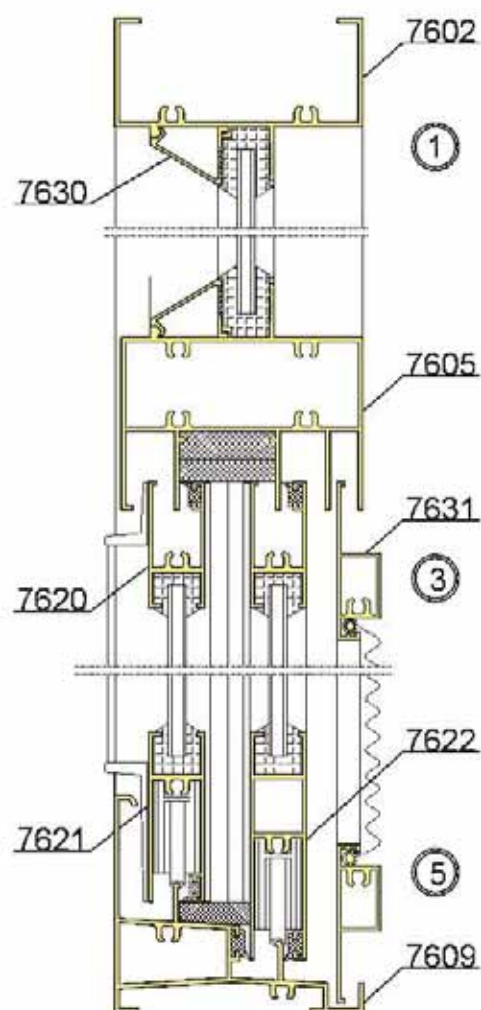
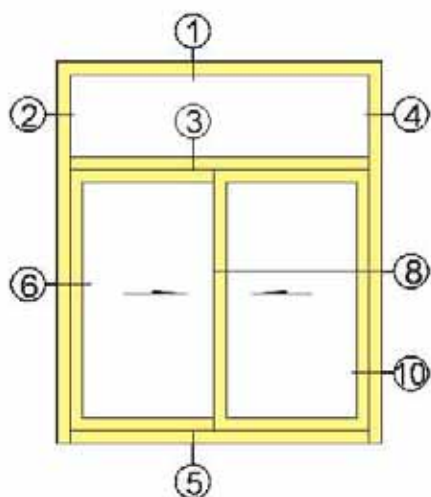


XJ757系列推拉窗装配图

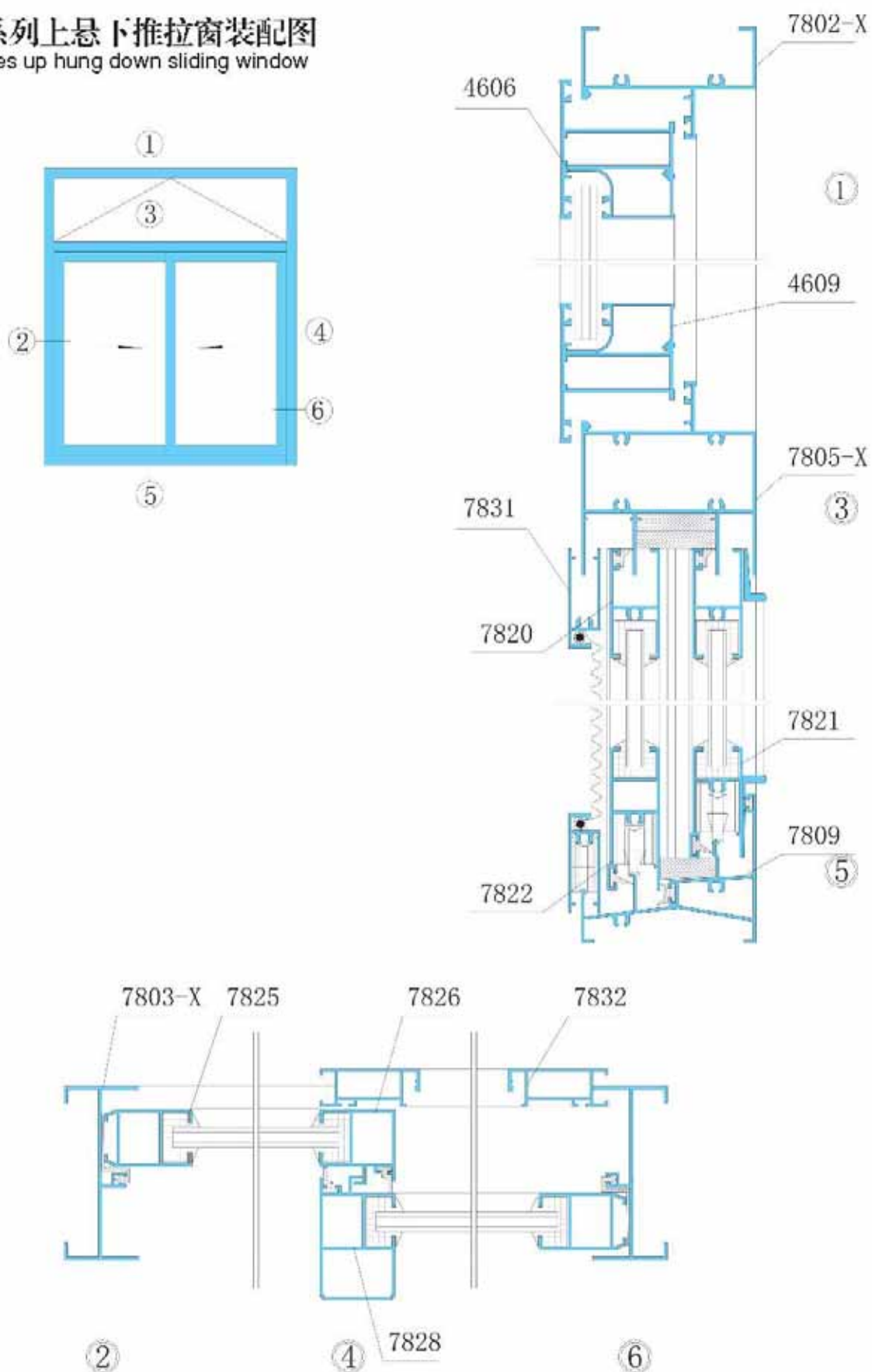
XJ757 series sliding window



XJ765 系列气密推拉窗型材装配图
XJ765 series sliding window

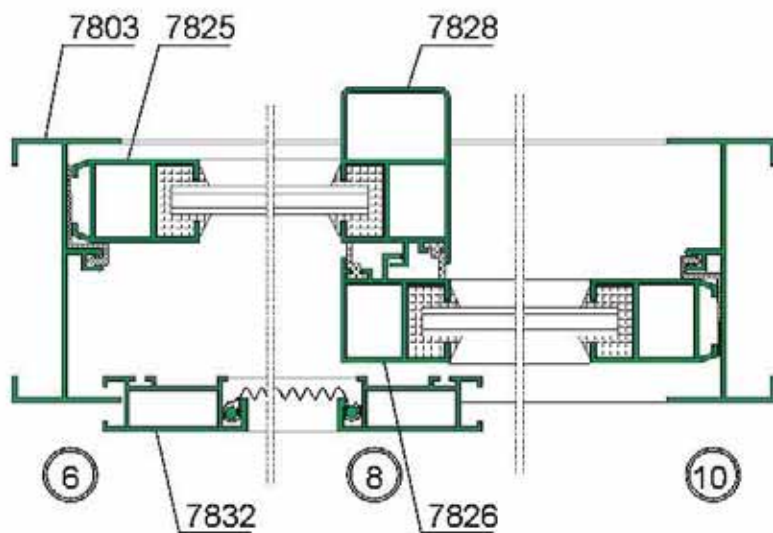
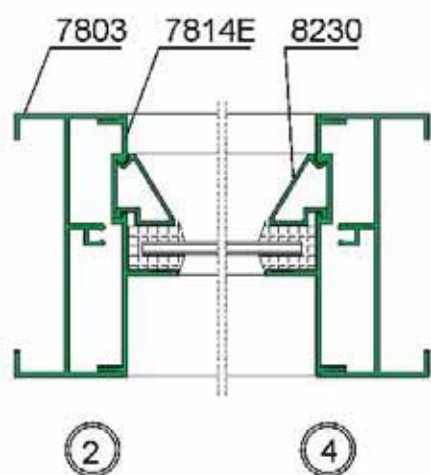
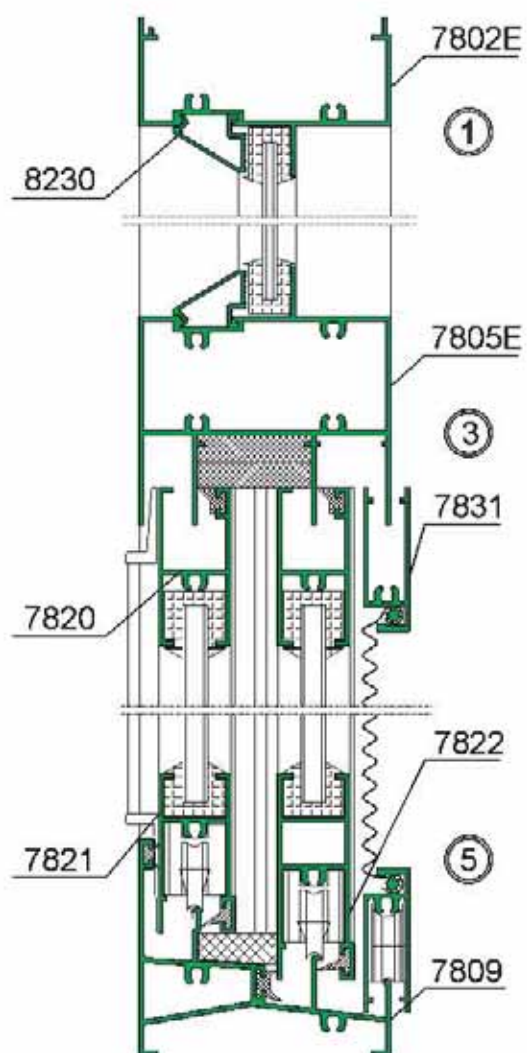
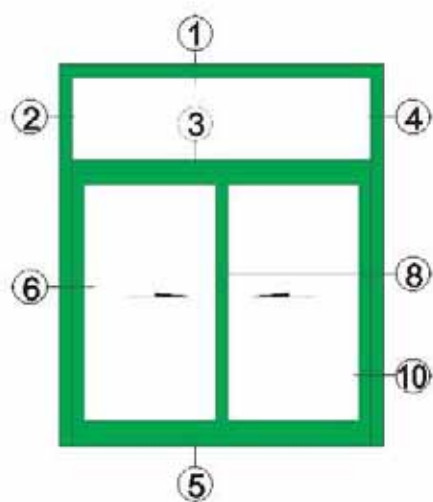


XJ70 系列上悬下推拉窗装配图
XJ70 series up hung down sliding window



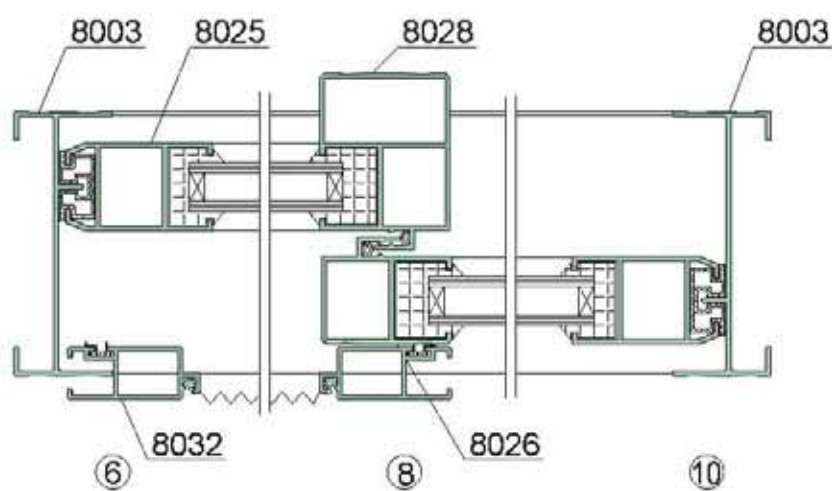
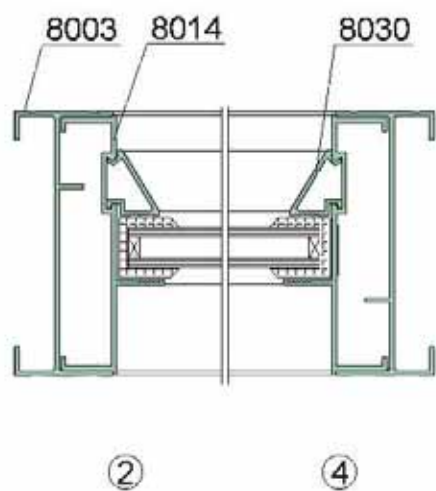
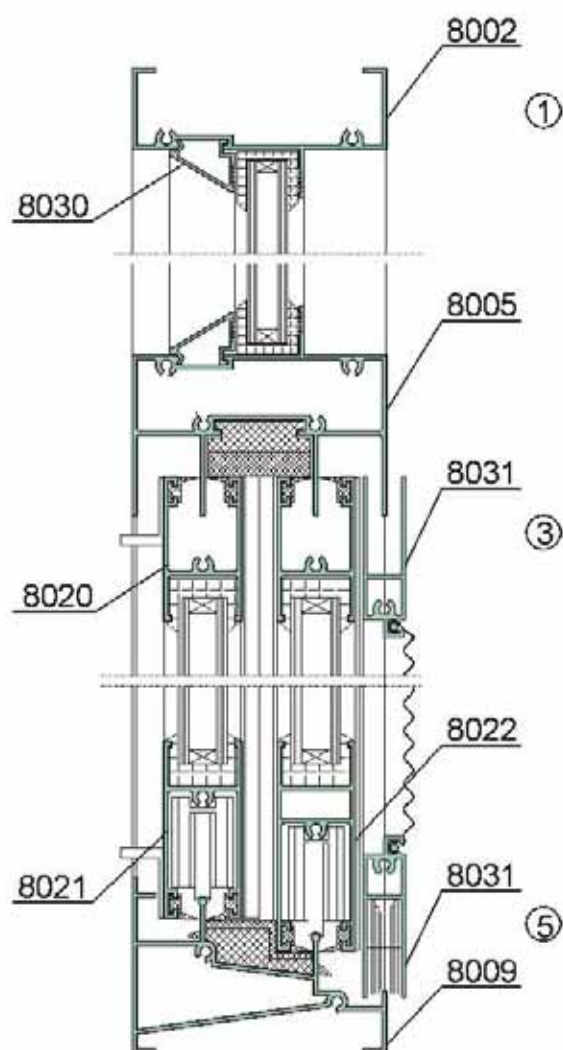
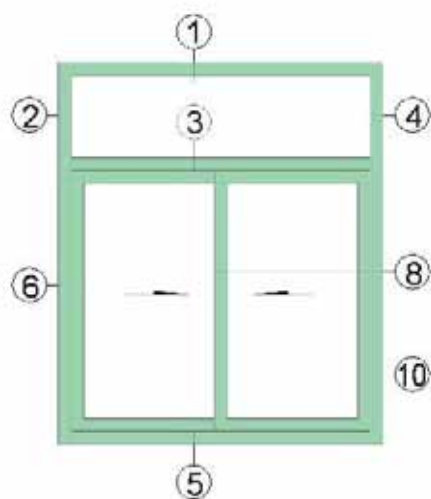
XJ768 系列气密推拉窗型材装配图

XJ768 series airproof sliding window



XJ808系列中空单高密封门窗(中空型剖面图)

XJ8088 series airproof sliding door, window with insulation glass or single glass



XJ8088系列中空、单玻高气密推拉门、窗（单玻）型材装配图

XJ8088 series airproof sliding door, window with insulation glass or single glass

